

Data Sheet 512

Unitest Bracket for Silo Roof



Suspension

Suspension of a heavy duty (2) and medium- / light duty (3) measuring cable in a steel silo by means of the square suspension box (1) on a special bracket on the roof of the cell / bin (manufactured by the customer). (4) Steel bar 20 mm Ø and 150 mm long for light duty cable and 25 mm Ø and 150 mm long for medium duty cable.

The suspension box must be mounted horizontally. Use tightening-compound between support and roof.

Bracket manufacturing

(See sketch)

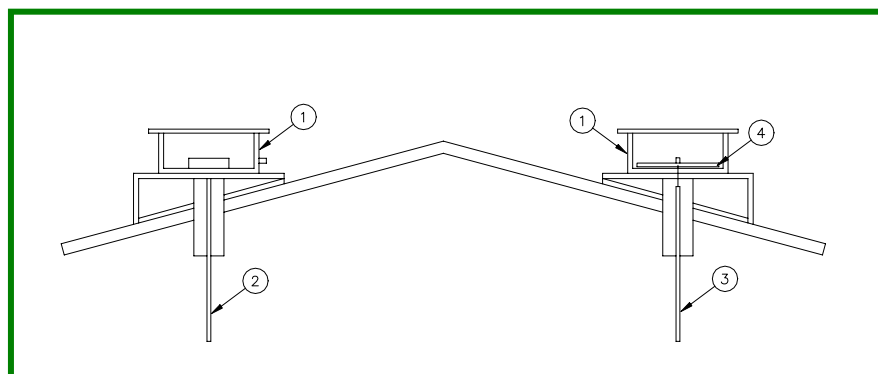
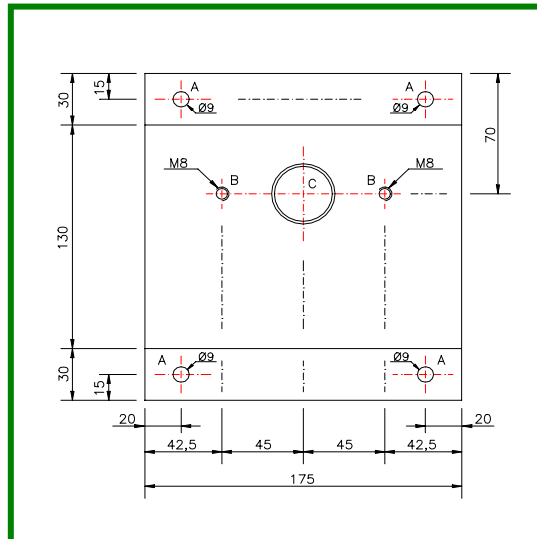
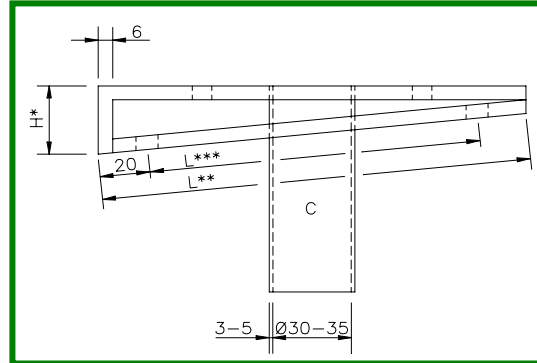
Material: 6 mm iron plate with dimensions corresponding to the slope / inclination of the roof. (H*, L** and L***).

A = holes for mounting of the bracket

B = holes for mounting of the box on the bracket

C = steel pipes

All measures are in mm.



Copyright © - The right to alterations is reserved