

Data Sheet 510

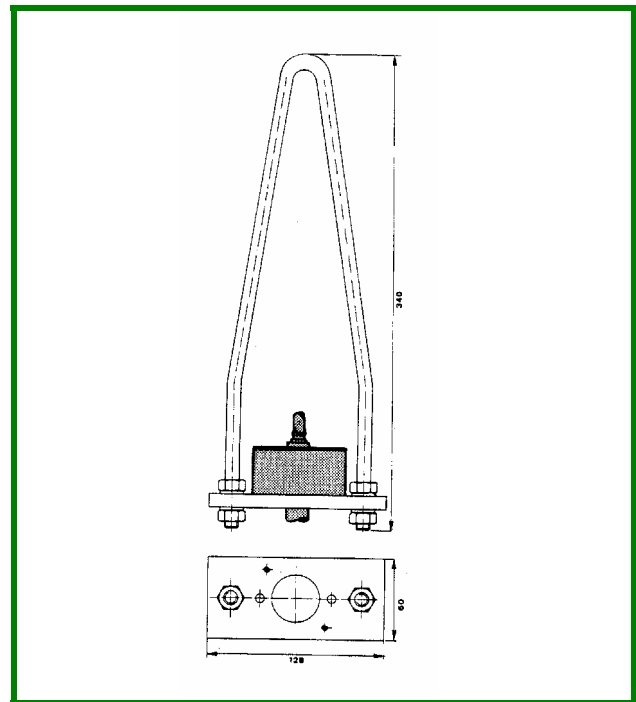
Unitest Hangers



The hanger is used in installations where neither the round nor the rectangular suspension box will fit. The measuring cable is extended and protected by a flexible conduit connected to a junction box in a convenient place on top of the silo.

Dimensions:

Plate	: 128 x 60 mm
Strap	: 340 mm high
Weight	: approx. 2 kg.



Copyright © - The right to alterations is reserved