

Data Sheet 509

Unitest Rectangular Suspension Box



The Unitest® system includes various installation components which makes it possible to establish any installation for almost all kinds of grain storages.

Hardly two installations are alike and it may be necessary to construct supports, etc. for cables and hangers locally.

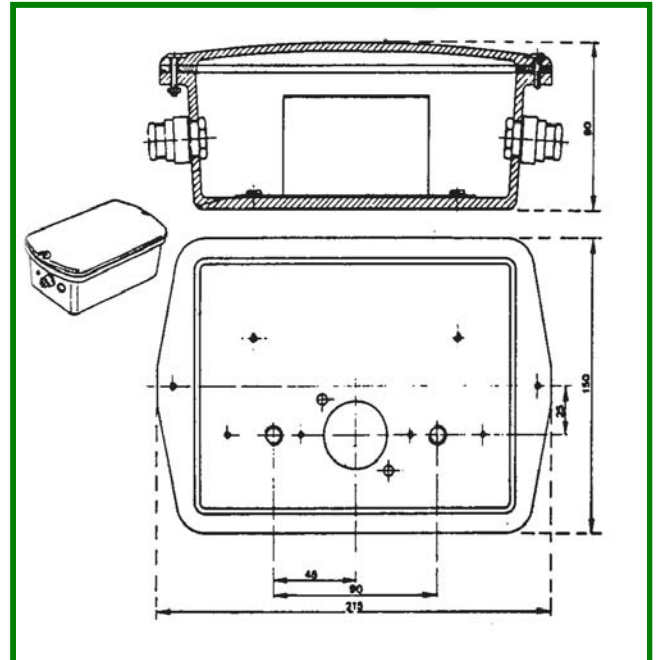
Rectangular Suspension Box

This suspension box is used in concrete silos already built, in steel tanks, and flat storages to suspend a heavy duty cable.

Dimensions:

L : 215
W : 150
H : 80 mm

Weight : Approx. 1.4 kg



In series installations the address board can be affixed in the suspension box.

Copyright © - The right to alterations is reserved