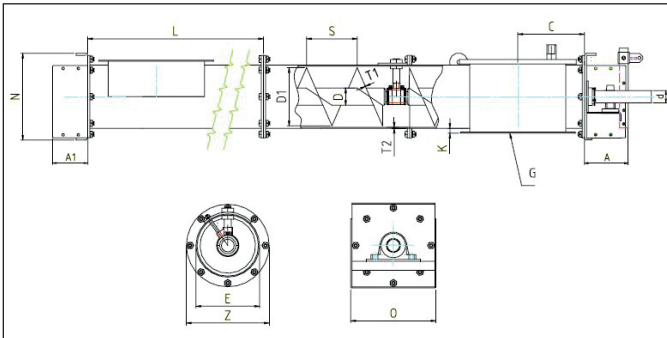


SCREW CONVEYOR SOH

Design

The tubular conveyors type SOH are designed for horizontal or ascending transportation of powder, granulates, pellets etc. The conveyor construction is a dust-proof construction, build in modules with tube sections of 2 m and inner screws of 4-6 m sections. Adjustable packing boxes with Teflon packing.

The conveyors are supplied with a bearing every 4 m for horizontal transportation and every 6 m for vertical transportation. A principle of intermediate bearings are used where all the wearing parts are easy to replace. End bearings type SY steel bearings



Conveyor type SOH - DIMENSIONS

Dimensions	SOH200	SOH300	SOH400	SOH500
A Length pull end	208	247	271	274
A1 Length with-running end	172	204	234	234
C Flange t7midth outlet	200	250	300	350
d Shaft/bearing	35	60	80	80
D Tube	88,9	88,9	114,3	114,3
D1 Outside diameter on flights	196	296	396	496
G Outlet, see info sheet				
K See info sheet				
L Tube lengths max.	2000	2000	2000	2000
E Outside tube	222	326	428	530
N House end plate height	290	394	526	628
O House end plate width	287	391	524	628
S Pitch	175	260	315	390
T1 Flight thickness	5	5	8	8
T2 Trough thickness	5	5	6	6
Z Outside flange	274	378	510	612

Conveyor type SOH - CAPACITY

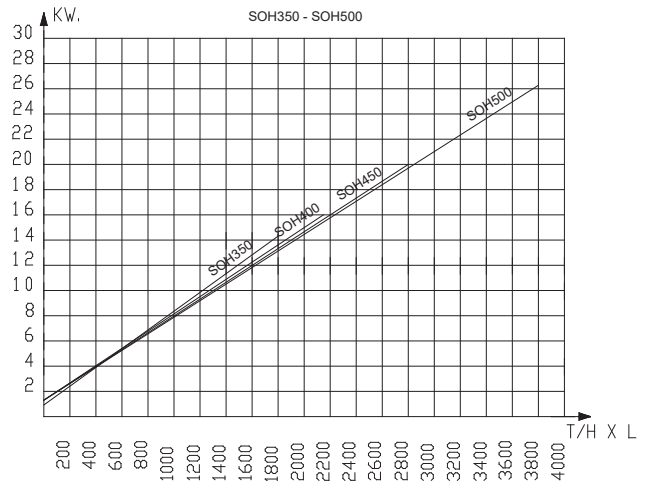
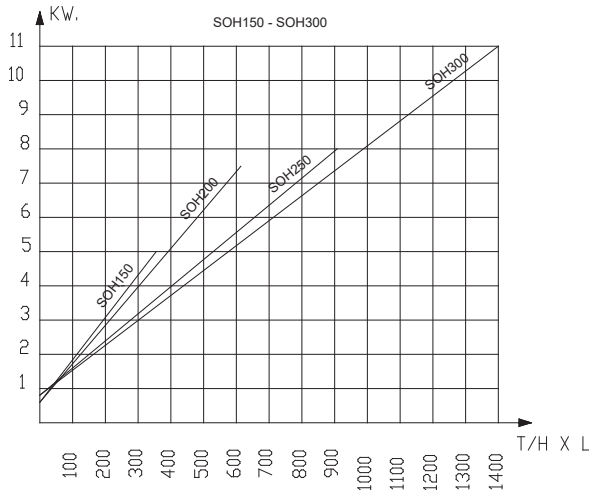
Capacity For every 5 degree ascent the capacity will drop 10%						
Material	Grain		Flour		Coarser products	
Type	Max. rpm.	m ³ /h with 50% filling and max. rpm.	Max. rpm.	m ³ /h with 40% filling and max. rpm.	Max. rpm.	m ³ /h with 30% filling and max. rpm.
SOH 200	240	32	120	13	95	7,3
SOH 300	160	80	80	32	65	19,5
SOH 400	140	153	70	62	55	36,0
SOH 500	115	250	60	104	45	59,0

Capacity descent by slide put conveyor							
Slope angle in degrees	0	15	30	45	60	75	90
App. capacity in % as regards to horizontal	100	80	70	60	50	40	30

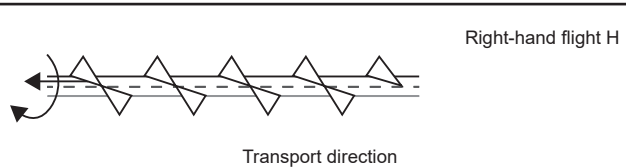
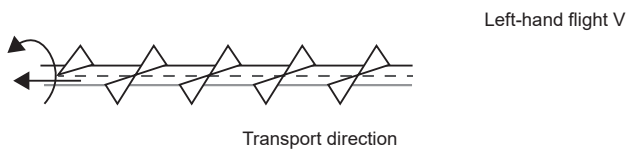
Note for max filling: On conveyors without bearings, one can obtain a filling of app. 80% on certain products

SCREW CONVEYOR SOH

Recommended effect diagrams for horizontal conveyor in standard version:



Flights can be delivered as right-hand or left-hand. As standard, the conveyors are delivered as right-hand.



Note:

The diagrams are valid for light powder products etc., effect factor 2,3. At strongly wearing material such as sand, salt etc. effect factor 3-6 is used. The diagrams are not valid for special conveyors and extraction conveyors under silos.
 T/H=Tonne/hour - L=Length in meter

- Examples of effect factor:
- Effect factor 3,0 – Sawdust
 - Effect factor 3,5 – Coconut deposits
 - Effect factor 4,0 – Bone meal, cement, gypsum, earth, clay.
 - Effect factor 5,0 – Fertiliser
 - Effect factor 6,0 – Ashes, cinder, sand, salt

Effect addition for oblique conveyor

$$KW = \frac{\text{tons/time} \times \text{lifting height} \times 1,15}{329}$$