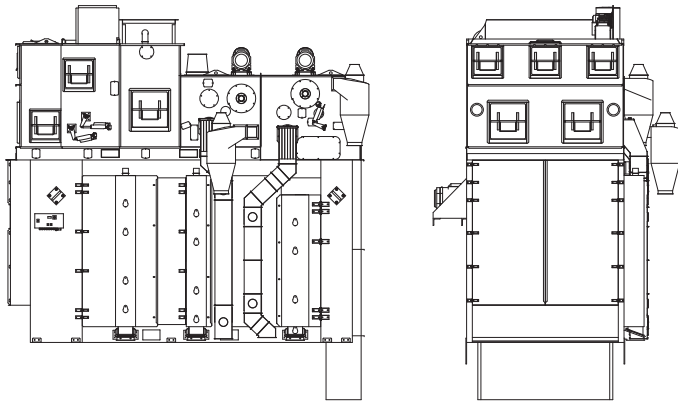


INDUSTRIAL CLEANER DELTA MEGA 167

Cimbria Industrial Cleaner Mega 167 is designed for high capacity pre cleaning of grain, peas and rape seed, and industrial cleaning of grain and malting barley.

The Mega cleaner's large screen area with its accurately matched stroke and frequency is completed by Cimbria's highly efficient pre- and after-suction system.



PERFORMANCE

Materials	Bulk density t/m ³	Moisture content %	Capacity t/h
Barley	0.68	20 (15)	240 (160)
Maize	0.71	20 (15)	200 (150)
Malt	0.52	20 (15)	100 (90)
Oats	0.51	20 (15)	100 (30)
Peas, common	0.7	20 (15)	200 (80–200)
Rapeseed	0.74	20 (7–9)	200 (80)
Rice, white	0.75	20 (15)	200 (30)
Rye	0.69	20 (15)	240 (160)
Sorghum	0.64	20 (15)	240 (160)
Soybeans	0.72	20 (15)	200 (80–200)
Wheat	0.76	20/15 (15)	240/250 (160)

Legend: Values in parentheses are for industrial cleaning. Other values are for pre cleaning.

Note: Capacities may vary for different impurity and moisture contents.

SCREENS

Screen angle	8°
Screen area, total	21.6 m ²
Screen size	1 800×1 000 mm (12 pcs)

DIMENSIONS

Overall length	5 123 mm
Overall height	5 311 mm
Overall width	3 678 mm

WEIGHT

Weight, empty	10 300 kg
Weight, operating (wheat)	11 000 kg
Weight, choked (wheat)	23 100 kg

OPERATING SPEED

Shaker feeder (shaft)	95–475 rpm
Screens (shaft)	280–285 rpm

ELECTRICAL RATINGS

Motor, shaker feeder	2.2 kW
Motor, screens	5.5 kW
Motor, pre aspiration fan	4 kW
Motor, post aspiration fan	5.5 kW
Control panel	110–230 V

AIR SUPPLY AND EXTRACTION

Aspiration volume	5 000 m ³ /h
-------------------	-------------------------

DYNAMIC LOADS

Horizontal load "Ph"	±1 320 N @ 4.6–4.8 Hz
Vertical load "Pv1" (inlet end)	±3 760 N @ 4.6–4.8 Hz
Vertical load "Pv2" (outlet end)	±3 760 N @ 4.6–4.8 Hz

Note: Dynamic loads are for normal operation.

NOISE

Sound pressure level, empty	77.6 dB(A)
-----------------------------	------------

COMPLIANCE

EU machinery legislation	Yes
EU ATEX legislation	No
EU food contact legislation	Option*

* Consult your Cimbria dealer for full details.

ENVIRONMENTAL CONDITIONS

Environment	Indoors
Temperature	From -20°C to +40°C
Altitude	Up to 800 m

SURFACE PROTECTION

Frame and enclosure	Paint (corrosivity category C2; low durability)
---------------------	---

LIFETIME

Intended life limit	20 years
---------------------	----------