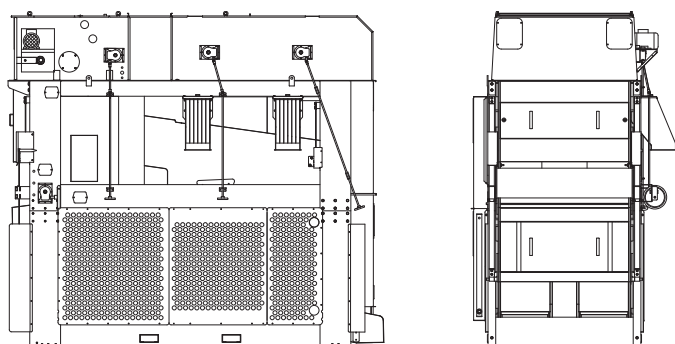


AIR-SCREEN CLEANER DELTA 146

GENERAL

Brand	Cimbria
Designation	Air-screen cleaner
Model	DELTA 146
Use	Industry
Application	Pre cleaning or industrial cleaning of cereal grains, pulses, oilseeds etc.



PERFORMANCE

Materials	Bulk density t/m ³	Moisture content %	Capacity t/h
Barley	0.68	20 (15)	100 (65)
Coffee, green	0.65	20 (15)	30–50 (40)
Maize	0.71	20 (15)	80 (60)
Malt	0.52	20 (15)	40 (40)
Oats	0.51	20 (15)	60 (15)
Peas, common	0.7	20 (15)	80 (40–80)
Rapeseed	0.74	20 (7–9)	80 (40)
Rice, paddy	0.51	20 (15)	35–40 (15–20)
Rice, white	0.75	20 (15)	80 (15)
Rye	0.69	20 (15)	100 (65)
Sorghum	0.64	20 (15)	100 (65)
Soybeans	0.72	20 (15)	80 (40–80)
Sunflower	0.4	14 (7–9)	35 (35)
Wheat	0.76	20/15 (15)	100/100 (65)

Legend: Values in parentheses are for industrial cleaning. Other values are for pre cleaning.

Note: Capacities may vary for different impurity and moisture contents.

DIMENSIONS

Screen area, total	15 m ²
Screen size	1 250×800 mm (15 pcs)
Overall length	3 645 mm
Overall height with feed roller	3 254 mm
Overall height with shaker feeder	3 258 mm
Overall width	2 000 mm

WEIGHT

Weight, empty	3 080 kg
Weight, running	3 200 kg
Weight, choked	6 770 kg

OPERATING SPEED

Feed roller	30–164 rpm
Shaker feeder (shaft)	140–700 rpm
Screens (shaft)	300 rpm

ELECTRICAL RATINGS

Motor, feed roller	1.1 kW
Motor, shaker feeder	0.75 kW
Motor, screens	2.2 kW

AIR SUPPLY AND EXTRACTION

Aspiration volume	11 000–15 000 m ³ /h
-------------------	---------------------------------

DYNAMIC LOADS

Horizontal load “Ph”	±993 N @ 4.6–4.8 Hz
Vertical load “Pv1” (inlet end)	±2 675 N @ 4.6–4.8 Hz
Vertical load “Pv2” (outlet end)	±2 675 N @ 4.6–4.8 Hz

Note: Dynamic loads are for normal operation.

NOISE

Sound pressure level, empty	73.4 dB(A)
-----------------------------	------------

COMPLIANCE

EU machinery legislation	Yes
EU ATEX legislation	Option*
EU food contact legislation	Option*

* Consult your Cimbria dealer for full details.

ENVIRONMENTAL CONDITIONS

Environment	Indoors
Temperature	From -20°C to +40°C
Altitude	Up to 800 m

SURFACE PROTECTION

Frame and enclosure	Paint (corrosivity category C2; low durability)
---------------------	---

LIFETIME

Intended life limit	20 years
---------------------	----------