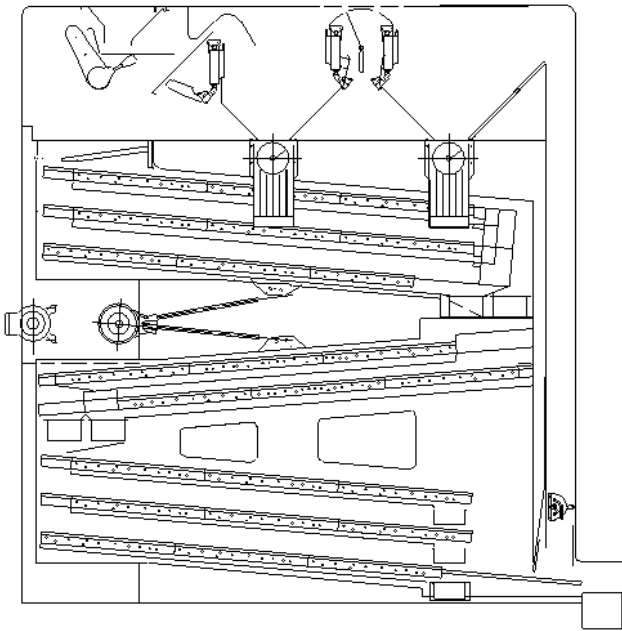


FINE CLEANER DELTA 118



Designed for high quality fine cleaning of seeds, malting barley, legumes and grain.

The Delta 118 fine cleaner include shaker feeder, pre-suction and after-suction system, electronic control system and flexible screen flow.



PERFORMANCE

Materials	Bulk density t/m ³	Moisture content %	Capacity t/h
Barley	0.68	14 (15)	20 (35)
Clover	0.82	14 (15)	8
Coffee, green	0.65	14 (15)	20 (20)
Maize	0.71	14 (15)	12-18 (25)
Oats	0.51	14 (15)	14 (20)
Peas, common	0.7	14 (15)	18 (20-24)
Rapeseed	0.74	7-9	14 (20)
Rice, paddy	0.51	14 (15)	9-12 (15-18)
Rice, white	0.75	14 (15)	20 (30)
Rye	0.69	14 (15)	20 (25-40)
Ryegrass	0.3	14 (15)	3
Sorghum	0.64	14 (15)	20 (35)
Soybeans	0.72	14 (15)	18-20 (20-24)
Sunflower	0.4	7-9	6-10 (10)
Wheat	0.76	14 (15)	22 (25-40)

Legend: Values in parentheses are for industrial cleaning. Other values are for fine cleaning.

Note: Capacities may vary for different impurity and moisture contents.

SCREENS

Screen angle	5°
Screen area, total	24 m ²
Screen size	1 250×800 mm (24 pcs)

DIMENSIONS

Overall length	3 706 mm
Overall height	3 620 mm
Overall width	1 981 mm

WEIGHT

Weight, empty	4 300 kg
Weight, operating (wheat)	4 720 kg
Weight, choked (wheat)	9 800 kg

OPERATING SPEED

Shaker feeder (shaft)	140-700 rpm
Screens (shaft), fixed speed	280-285 rpm
Screens (shaft), variable speed	260-300 rpm

ELECTRICAL RATINGS

Motor, shaker feeder	0.75 kW
Motor, screens	3 kW
Control panel	110-230 V

AIR SUPPLY AND EXTRACTION

Aspiration volume	14 000 m ³ /h
-------------------	--------------------------

DYNAMIC LOADS

Horizontal load "Ph"	±3 661 N @ 4.6-4.8 Hz
Vertical load "Pv1" (inlet end)	±2 787 N @ 4.6-4.8 Hz
Vertical load "Pv2" (outlet end)	±2 689 N @ 4.6-4.8 Hz

Note: Dynamic loads are for normal operation.

NOISE

Sound pressure level, empty	81.6 dB(A)
Sound power level, empty	96.1 dB(A)

COMPLIANCE

EU machinery legislation	Yes
EU ATEX legislation	Option*
EU food contact legislation	Option*

* Consult your Cimbria dealer for full details.

ENVIRONMENTAL CONDITIONS

Environment	Indoors
Temperature	From -20°C to +40°C
Altitude	Up to 800 m

SURFACE PROTECTION

Frame and enclosure	Paint (corrosivity category C2; low durability)
---------------------	---

LIFETIME

Intended life limit	20 years
---------------------	----------