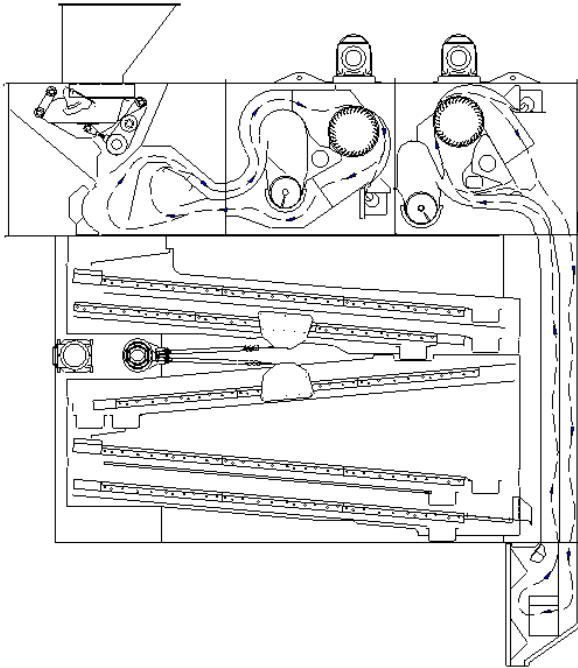


# FINE CLEANER DELTA 116.1



Designed for high quality fine cleaning of seeds, malting barley, legumes and grain.

The Delta 116.1 fine cleaner include shaker feeder, pre-suction and after-suction system, electronic control system and flexible screen flow.



## PERFORMANCE

Materials	Bulk density t/m <sup>3</sup>	Moisture content %	Capacity t/h
Barley	0.68	14 (15)	9 (25)
Clover	0.82	14 (15)	4
Coffee, green	0.65	14 (15)	9
Maize	0.71	14 (15)	6–8 (12)
Oats	0.51	14 (15)	7 (9)
Peas, common	0.7	14 (15)	7–9 (9–14)
Rapeseed	0.74	7–9	7 (9)
Rice, paddy	0.51	14 (15)	5–7 (6–9)
Rice, white	0.75	14 (15)	9 (20)
Rye	0.69	14 (15)	9 (18–25)
Ryegrass	0.3	14 (15)	1.5
Sorghum	0.64	14 (15)	9 (25)
Soybeans	0.72	14 (15)	7–9 (9–14)
Wheat	0.76	14 (15)	10 (18–25)

Legend: Values in parentheses are for industrial cleaning. Other values are for fine cleaning.

Note: Capacities may vary for different impurity and moisture contents.

## SCREENS

Screen angle	5°
Screen area, total	15 m <sup>2</sup>
Screen size	1 250×800 mm (15 pcs)

## DIMENSIONS

Overall length	3 888 mm
Overall height	4 164 mm
Overall width	2 370 mm

## WEIGHT

Weight, empty	4 225 kg
Weight, operating (wheat)	4 675 kg
Weight, choked (wheat)	8 040 kg

## OPERATING SPEED

Shaker feeder (shaft)	140–700 rpm
Screens (shaft), fixed speed	280–285 rpm
Screens (shaft), variable speed	260–320 rpm

## ELECTRICAL RATINGS

Motor, shaker feeder	0.75 kW
Motor, screens	2.2 kW
Motor, pre aspiration	3 kW
Motor, post aspiration	4 kW
Control panel	110–230 V

## AIR SUPPLY AND EXTRACTION

Aspiration volume	3 600 m <sup>3</sup> /h
-------------------	-------------------------

## DYNAMIC LOADS

Horizontal load “Ph”	±1 752 N @ 4.6–4.8 Hz
Vertical load “Pv1” (inlet end)	±1 434 N @ 4.6–4.8 Hz
Vertical load “Pv2” (outlet end)	±1 582 N @ 4.6–4.8 Hz

Note: Dynamic loads are for normal operation.

## NOISE

Sound pressure level, empty	81.6 dB(A)
Sound power level, empty	96.1 dB(A)

## COMPLIANCE

EU machinery legislation	Yes
EU ATEX legislation	No
EU food contact legislation	Option*

\* Consult your Cimbria dealer for full details.

## ENVIRONMENTAL CONDITIONS

Environment	Indoors
Temperature	From -20°C to +40°C
Altitude	Up to 800 m

## SURFACE PROTECTION

Frame and enclosure	Paint (corrosivity category C2; low durability)
---------------------	---

## LIFETIME

Intended life limit	20 years
---------------------	----------