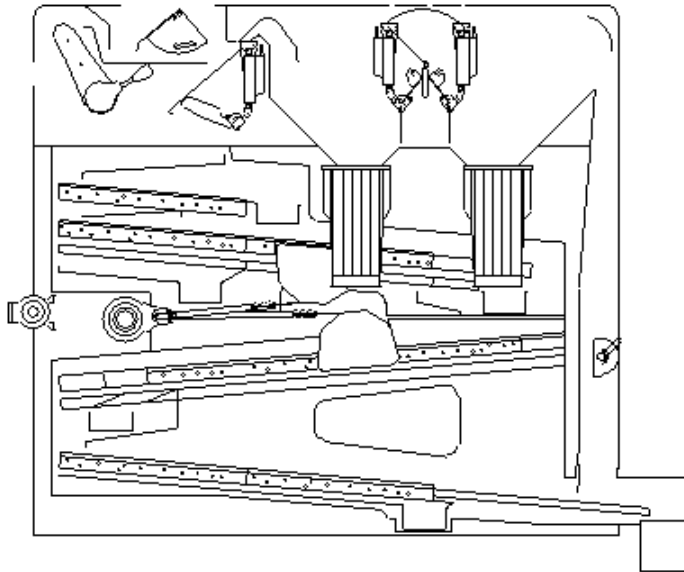


FINE CLEANER DELTA 114

Designed for high quality fine cleaning of seeds, malting barley, legumes and grain.

The Delta 114 fine cleaner include shaker feeder, pre-suction and after-suction system, electronic control system and flexible screen flow.



PERFORMANCE

Materials	Bulk density t/m ³	Moisture content %	Capacity t/h
Barley	0.68	14 (15)	3.5 (10)
Clover	0.82	14 (15)	2
Coffee, green	0.65	14 (15)	4 (4)
Maize	0.71	14 (15)	3–4 (5)
Oats	0.51	14 (15)	3 (4)
Peas, common	0.7	14 (15)	3–4 (4–6)
Rapeseed	0.74	7–9	3 (4)
Rice, paddy	0.51	14 (15)	2.5–3 (3–4)
Rice, white	0.75	14 (15)	4 (6)
Rye	0.69	14 (15)	3.5 (6–10)
Ryegrass	0.3	14 (15)	0.75
Sorghum	0.64	14 (15)	3.5 (10)
Soybeans	0.72	14 (15)	3–4 (4–6)
Sunflower	0.4	7–9	1.5–2.5 (2)
Wheat	0.76	14 (15)	4 (6–10)

Legend: Values in parentheses are for industrial cleaning. Other values are for fine cleaning.

Note: Capacities may vary for different impurity and moisture contents.

SCREENS

Screen angle	5°
Screen area, total	7 m ²
Screen size	1 250×800 mm (7 pcs)

DIMENSIONS

Overall length	3 018 mm
Overall height	2 314 mm
Overall width	1 823 mm

WEIGHT

Weight, empty	2 020 kg
Weight, operating (wheat)	2 110 kg
Weight, choked (wheat)	4 320 kg

OPERATING SPEED

Shaker feeder (shaft)	140–700 rpm
Screens (shaft), fixed speed	280–285 rpm
Screens (shaft), variable speed	260–320 rpm

ELECTRICAL RATINGS

Motor, shaker feeder	0.75 kW
Motor, screens	1.5 kW
Control panel	110–230 V

AIR SUPPLY AND EXTRACTION

Aspiration volume	8 200 m ³ /h
-------------------	-------------------------

DYNAMIC LOADS

Horizontal load "Ph"	±123 N @ 4.6–4.8 Hz
Vertical load "Pv1" (inlet end)	±1 075 N @ 4.6–4.8 Hz
Vertical load "Pv2" (outlet end)	±1 075 N @ 4.6–4.8 Hz

Note: Dynamic loads are for normal operation.

NOISE

Sound pressure level, empty	79.3 dB(A)
-----------------------------	------------

COMPLIANCE

EU machinery legislation	Yes
EU ATEX legislation	Option*
EU food contact legislation	Option*

* Consult your Cimbria dealer for full details.

ENVIRONMENTAL CONDITIONS

Environment	Indoors
Temperature	From -20°C to +40°C
Altitude	Up to 800 m

SURFACE PROTECTION

Frame and enclosure	Paint (corrosivity category C2; low durability)
---------------------	---

LIFETIME

Intended life limit	20 years
---------------------	----------