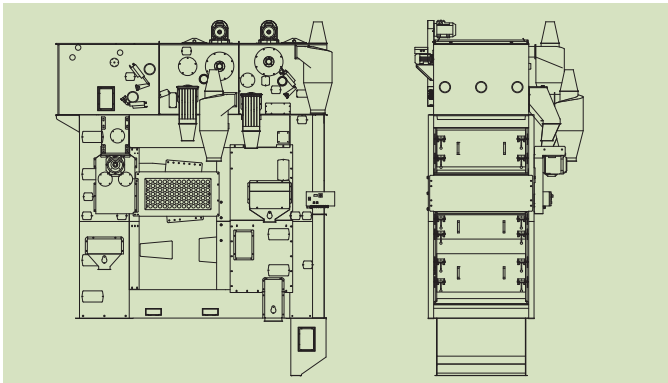


CLEANER DELTA 118.1

GENERAL

Brand	Cimbria
Designation	Air-screen cleaner
Model	DELTA 118.1
Use	Industry
Application	Fine cleaning or industrial cleaning of cereal grains and other grass seeds, pulses, and oilseeds intended for seed.



PERFORMANCE

	Bulk density t/m ³	Moisture content %	Capacity t/h
Barley	0.68	14 (15)	20 (35)
Clover	0.82	14 (15)	8
Coffee, green	0.65	14 (15)	20
Maize	0.71	14 (15)	12–18 (25)
Oats	0.51	14 (15)	14 (20)
Peas, common	0.7	14 (15)	18–20 (20–24)
Rapeseed	0.74	7–9	14 (20)
Rice, paddy	0.51	14 (15)	9–12 (15–18)
Rice, white	0.75	14 (15)	20 (30)
Rye	0.69	14 (15)	20 (25–40)
Ryegrass	0.3	14 (15)	3
Sorghum	0.64	14 (15)	20 (35)
Soybeans	0.72	14 (15)	18–20 (20–24)
Wheat	0.76	14 (15)	22 (25–40)

Legend: Values in parentheses are for industrial cleaning. Other values are for fine cleaning.

Note: Capacities may vary for different impurity and moisture contents.

DIMENSIONS

Screen area, total	24 m ²
Screen size	1 250×800 mm (24 pcs)
Overall length	3 888 mm
Overall height	4 999 mm
Overall width	2 370 mm

WEIGHT

Weight, empty	5 800 kg
Weight, operating (wheat)	6 220 kg
Weight, choked (wheat)	11 300 kg

OPERATING SPEED

Shaker feeder (shaft)	140–700 rpm
Screens (shaft), fixed speed	280–285 rpm
Screens (shaft), variable speed	260–300 rpm

ELECTRICAL RATINGS

Motor, shaker feeder	0.75 kW
Motor, screens	3 kW
Motor, pre aspiration	3 kW
Motor, post aspiration	4 kW
Control panel	110–230 V

AIR SUPPLY AND EXTRACTION

Aspiration volume	3 600 m ³ /h
-------------------	-------------------------

DYNAMIC LOADS

Horizontal load "Ph"	±3 661 N @ 4.6–4.8 Hz
Vertical load "Pv1" (inlet end)	±2 787 N @ 4.6–4.8 Hz
Vertical load "Pv2" (outlet end)	±2 689 N @ 4.6–4.8 Hz

Note: Dynamic loads are for normal operation.

NOISE

Sound pressure level, empty	81.6 dB(A)
Sound power level, empty	96.1 dB(A)

COMPLIANCE

EU machinery legislation	Yes
EU ATEX legislation	No
EU food contact legislation	Option*

* Consult your Cimbria dealer for full details.

ENVIRONMENTAL CONDITIONS

Environment	Indoors
Temperature	From -20°C to +40°C
Altitude	Up to 800 m

SURFACE PROTECTION

Frame and enclosure	Paint (corrosivity category C2; low durability)
---------------------	---

LIFETIME

Intended life limit	20 years
---------------------	----------