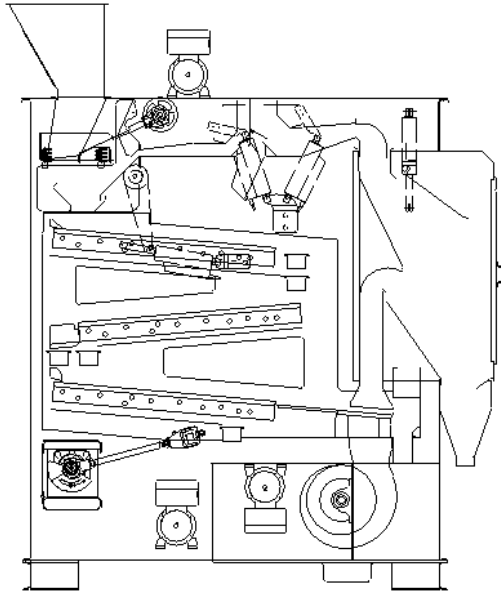


FINE CLEANER DELTA SUPER 101

Designed for high quality fine cleaning of seeds, malting barley, legumes, grains and garden seeds.

The unique air lifting unit makes the Delta Super 101 ideal for the most challenging separations. The Super fine cleaner include shaker feeder, pre-suction and after-suction system, electronic control system, flexible screen flow and air lifting fan.



PERFORMANCE

Materials	Seed density t/m ³	Moisture content %	Capacity t/h
Barley	0.68	14	0.4
Clover	0.82	14	0.2
Coffee, green	0.65	14	0.2
Maize	0.71	14	0.3
Oats	0.51	14	0.2
Peas, common	0.7	14	0.3
Rapeseed	0.74	7-9	0.2
Rice, paddy	0.51	14	0.1
Rice, white	0.75	14	0.2
Rye	0.69	14	0.4
Ryegrass	0.3	14	0.1
Sorghum	0.64	14	0.4
Soybeans	0.72	14	0.3
Sunflower	0.4	7-9	0.1
Wheat	0.76	14	0.4

Note: Capacities may vary for different impurity and moisture contents.

SCREENS

Screen angle	5°
Screen area, total	0.96 m ²
Screen size	400×800 mm (3 pcs)

DIMENSIONS

Overall length	1 783 mm
Overall height	2 095 mm
Overall width	828 mm

WEIGHT

Weight, empty	625 kg
---------------	--------

OPERATING SPEED

Shaker feeder (shaft)	126–622 rpm
Screens (shaft)	260–320 rpm
Aspiration fan	215–1 835 rpm

ELECTRICAL RATINGS

Motor, shaker feeder	0.55 kW
Motor, screens	0.75 kW
Motor, aspiration fan	0.55 kW
Control panel	110–230 V

AIR SUPPLY AND EXTRACTION

Aspiration volume	2 000 m ³ /h
-------------------	-------------------------

DYNAMIC LOADS

Horizontal load "Ph"	±1 409 N @ 4.6–4.8 Hz
Vertical load "Pv1" (inlet end)	±923 N @ 4.6–4.8 Hz
Vertical load "Pv2" (outlet end)	±921 N @ 4.6–4.8 Hz

Note: Dynamic loads are for normal operation.

NOISE

Sound pressure level, empty	79.3 dB(A)
-----------------------------	------------

COMPLIANCE

EU machinery legislation	Yes
EU ATEX legislation	Option*
EU food contact legislation	Option*

* Consult your Cimbria dealer for full details.

ENVIRONMENTAL CONDITIONS

Environment	Indoors
Temperature	From -20°C to +40°C
Altitude	Up to 800 m

SURFACE PROTECTION

Frame and enclosure	Paint (corrosivity category C2; low durability)
---------------------	---

LIFETIME

Intended life limit	20 years
---------------------	----------