

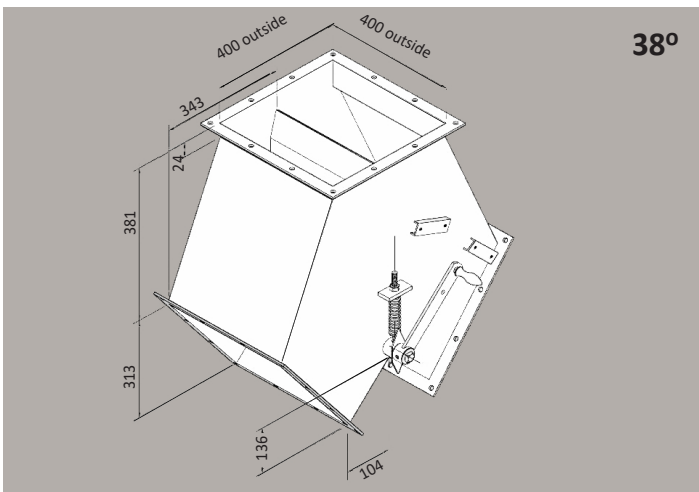
# Two-way Valves TYPE Q-40



Two-way valves **type LM and LN** can be used for diverting the grain flow. Type LM valves are used where a vertical spout divides into two sloping spouts while type LN delivers the grain in a sloping and a vertical spout. If the supplying spout is vertical, pos. A is used, in case of a sloping spout, pos. B is used. For manual operation of the two-way valves a handle/ lever is used, this can be mounted on the side of the valve in the position that is most convenient for the particular location. The actual position of the shutter is shown by means of an arrow pointing in the direction of the grain flow.

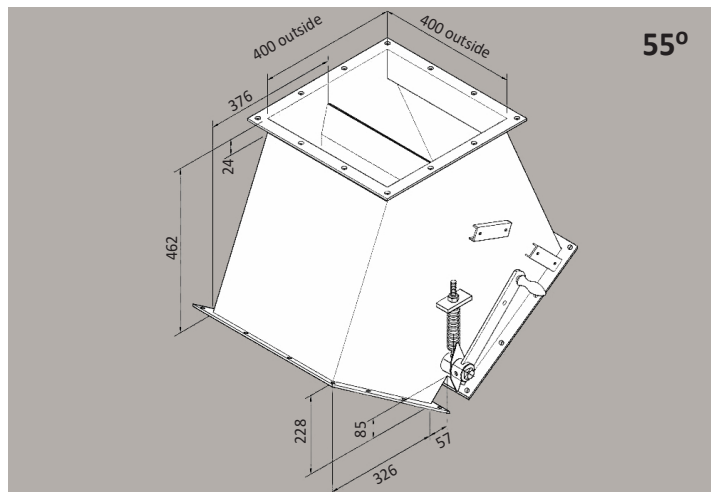
This device can be replaced by an electrical indicator showing flow direction by means of signal lights which, if required can be fitted after installation. Manually operated two-way valves type LN can be supplied with shutter regulation on either the left or right hand side.

Additionally the two-way valves can be delivered pneumatically operated enabling a number of valves to be easily controlled from a remote control panel.



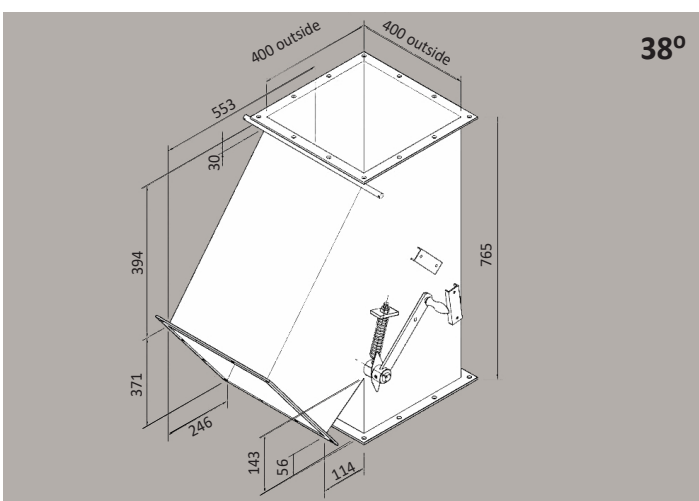
38°

<b>LM1032</b>	Manually
<b>LM1034</b>	Manually with indication
<b>LM1038</b>	Pneumatically
<b>LM1039</b>	Motorised with indication



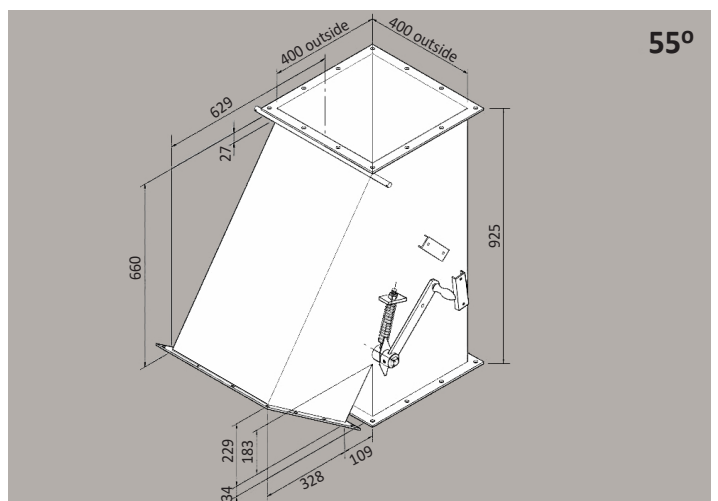
55°

<b>LM1052</b>	Manually
<b>LM1054</b>	Manually with indication
<b>LM1058</b>	Pneumatically
<b>LM1059</b>	Motorised with indication



38°

<b>LN1032</b>	Manually right
<b>LN1034</b>	Manually with indication
<b>LN1038</b>	Pneumatically
<b>LN1039</b>	Motorised with indication



55°

<b>LN1052</b>	Manually
<b>LN1054</b>	Manually with indication
<b>LN1058</b>	Pneumatically