

Two-way Valves TYPE Q-20



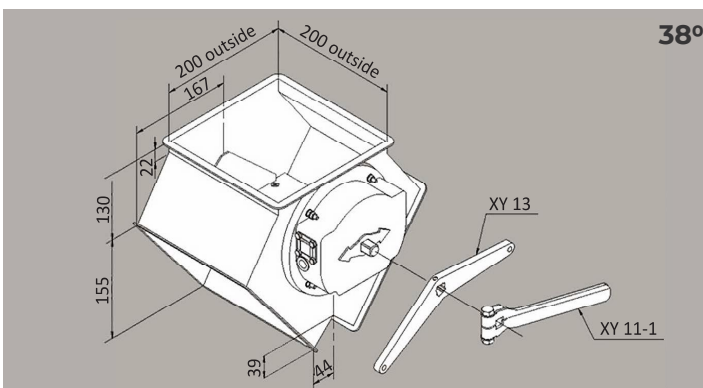
Two-way valves **type LM and LN** can be used for diverting the grain flow.

Type LM valves are used where a vertical spout divides into two sloping spouts while type LN delivers the grain in a sloping and a vertical spout.

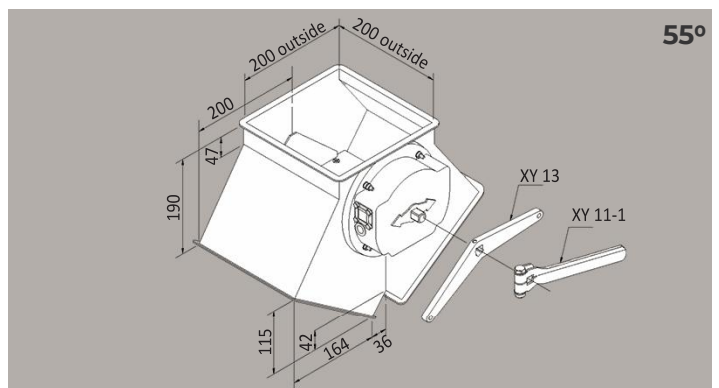
For manual operation of the two-way valves a handle/ lever is used, this can be mounted on the side of the valve in the position that is most convenient for the particular location. The actual position of the shutter is shown by means of an arrow pointing in the direction of the grain flow.

This device can be replaced by an electrical indicator showing flow direction by means of signal lights which, if required can be fitted after installation. Manually operated two-way valves type LN can be supplied with shutter regulation on either the left or right hand side.

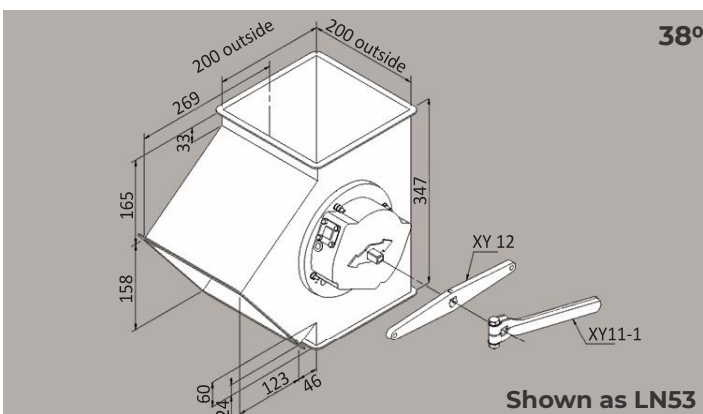
Additionally the two-way valves can be delivered pneumatically operated enabling a number of valves to be easily controlled from a remote control panel.



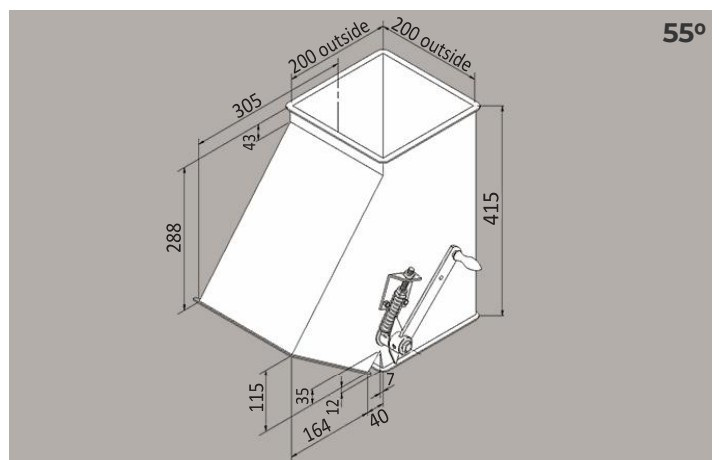
LM52	Manually right
LM54	Manually with indication
LM58	Pneumatically
LM59	Motorised with indication



LM552	Manually right
LM554	Manually with indication
LM555	Pneumatically
LM559	Motorised with indication



LN52	Manually right
LN53	Manually left
LN54	Manually with indication - right
LN55	Manually with indication - left
LN58	Pneumatically
LN59	Motorised with indication



LN552	Manually right
LN554	Manually with indication
LN555	Pneumatically
LN559	Motorised with indication