

Two-way Valves

TYPE Q-16



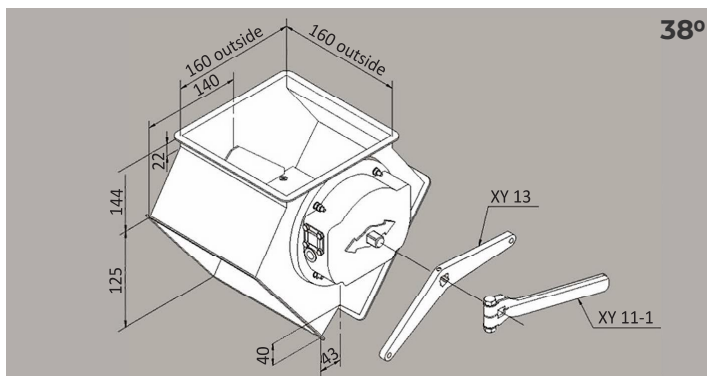
Two-way valves **type LM and LN** can be used for diverting the grain flow.

Type LM valves are used where a vertical spout divides into two sloping spouts while type LN delivers the grain in a sloping and a vertical spout.

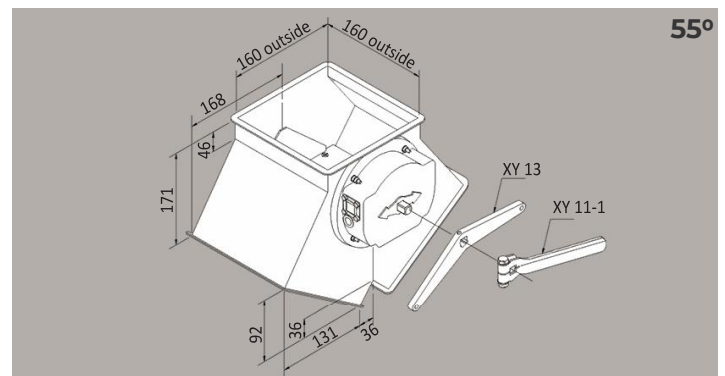
For manual operation of the two-way valves a handle/ lever is used, this can be mounted on the side of the valve in the position that is most convenient for the particular location. The actual position of the shutter is shown by means of an arrow pointing in the direction of the grain flow.

This device can be replaced by an electrical indicator showing flow direction by means of signal lights which, if required can be fitted after installation. Manually operated two-way valves type LN can be supplied with shutter regulation on either the left or right hand side.

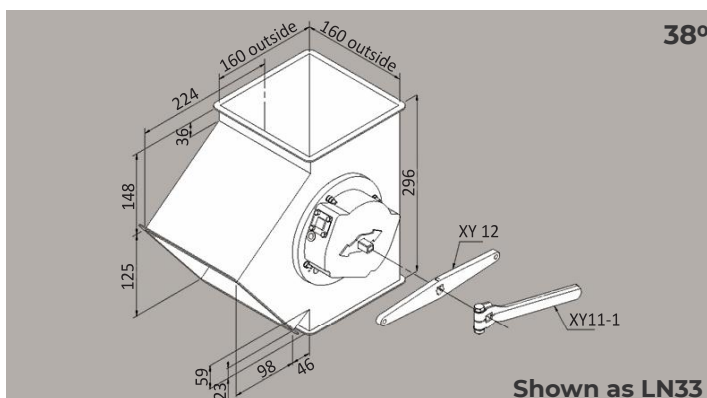
Additionally the two-way valves can be delivered pneumatically operated enabling a number of valves to be easily controlled from a remote control panel.



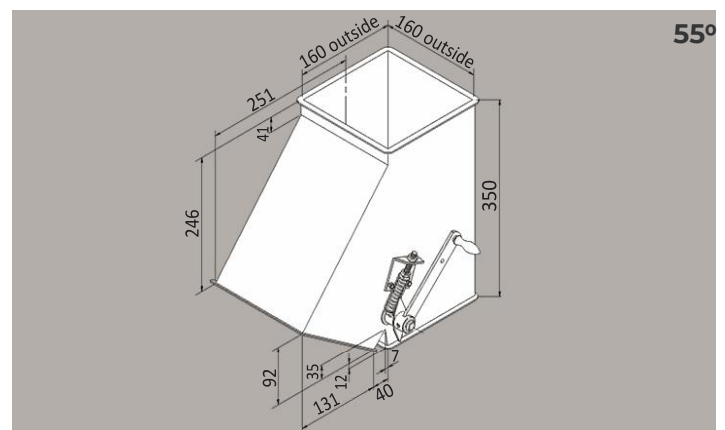
LM32	Manually
LM34	Manually with indication
LM38	Pneumatically
LM39	Motorised with indication



LM352	Manually
LM354	Manually with indication
LM355	Pneumatically
LM359	Motorised with indication



LN32	Manually right
LN33	Manually left
LN34	Manually with indication - right
LN35	Manually with indication - left
LN38	Pneumatically
LN39	Motorised with indication



LN352	Manually
LN354	Manually with indication
LN355	Pneumatically