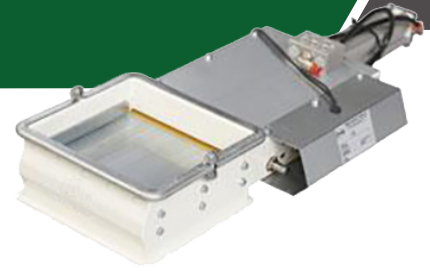
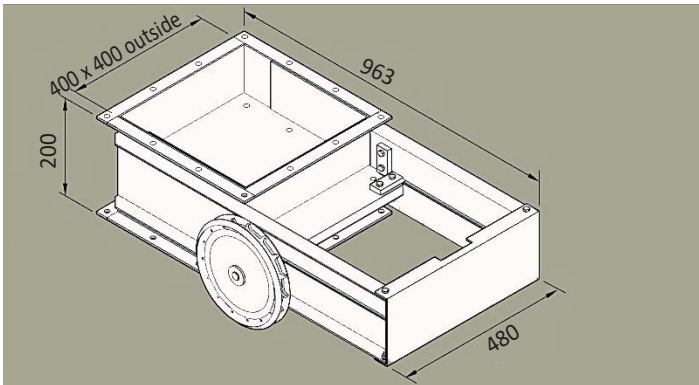


# SLIDING VALVES SK TYPE Q-40

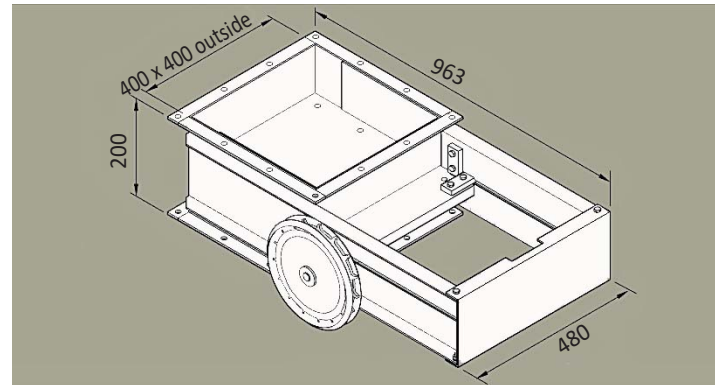


The **sliding valves type SK** can be inserted into a grain spout for regulation or cutting off of the flow. The sliding valve is controlled by means of outside guides ensuring that kernels are not broken.

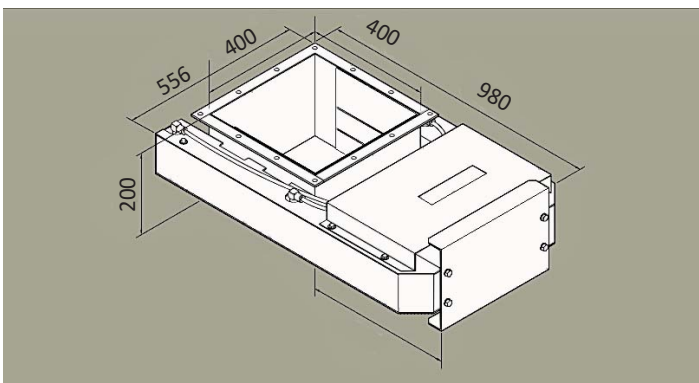
All sliding valves type SK do comply with the EU machine directive in the Q-40 series.



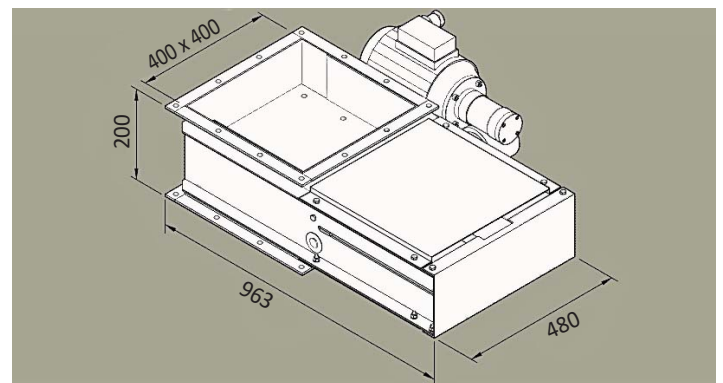
**SK1092** Manual operated  
**SK1093** Manually operated with indication



**SK1094** Rack and pinion  
**SK1095** Rack and pinion with indication



**SK10980** Pneumatically



**SK10990** Motorised