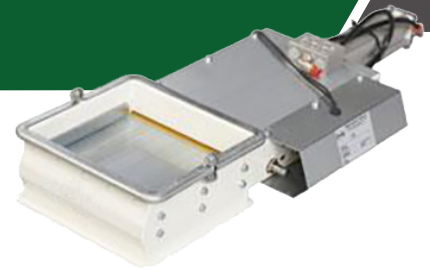
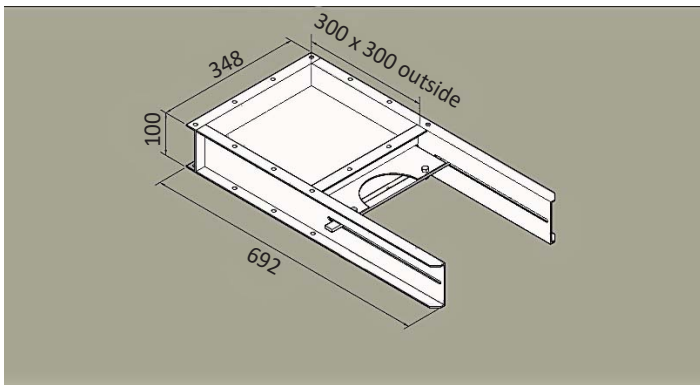


SLIDING VALVES SK TYPE Q-30

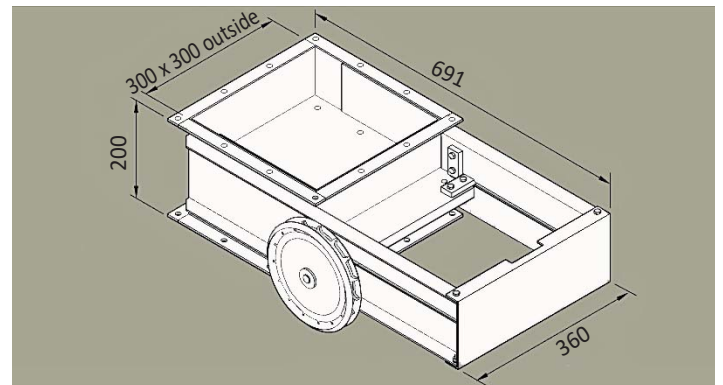


The **sliding valves type SK** can be inserted into a grain spout for regulation or cutting off of the flow. The sliding valve is controlled by means of outside guides ensuring that kernels are not broken.

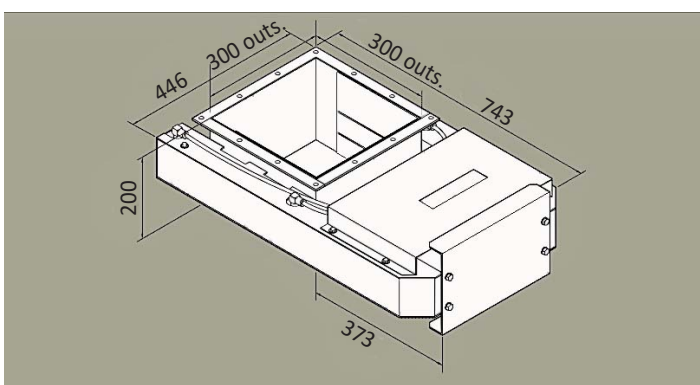
All sliding valves type SK do comply with the EU machine directive in the Q-30 series.



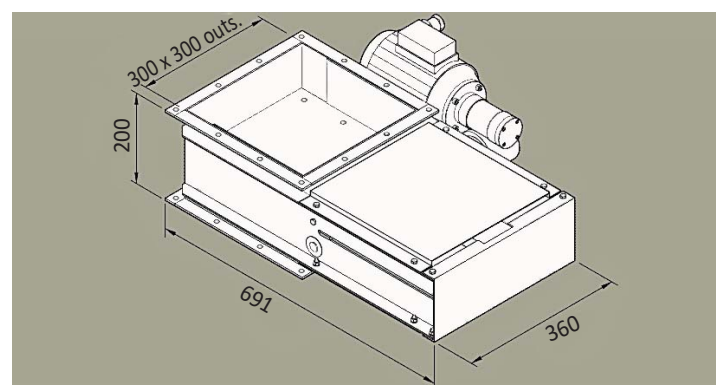
SK92 Manual operated
SK93 Manually operated with indication



SK94 Rack and pinion
SK95 Rack and pinion with indication



SK98 Pneumatically



SK99 Motorised