

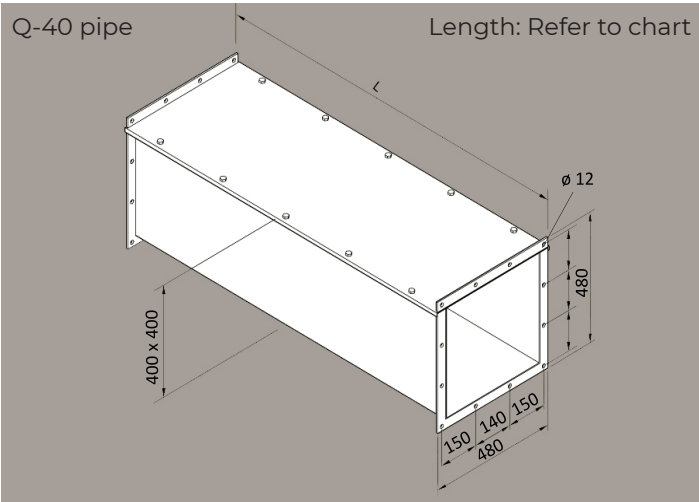
Grain Spouts, Connection Clamps and Flanges TYPE Q-40

CIMBRIA grain spouts Q-40 have an outside cross section of 400 mm.

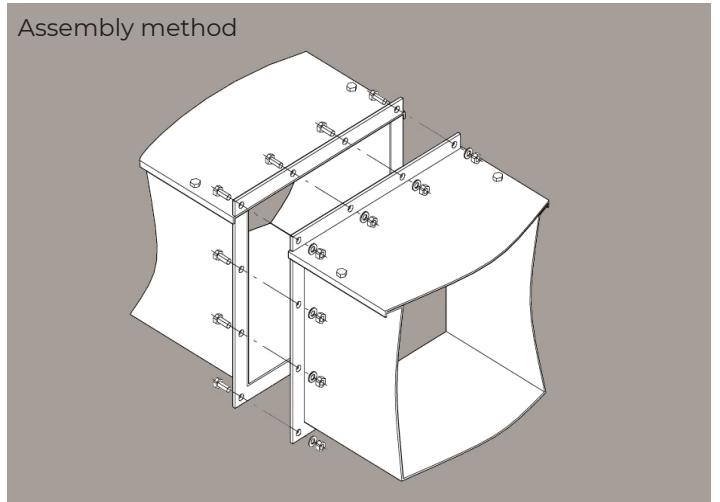
The spouts are made of 5 mm steel plate and are delivered dip painted in RAL9010.

The spouts are delivered in two parts, trough and cover plate.

The spouts are stocked in the following standard lengths: 990 - 1490 - 1990 mm, which are all complete with 5 mm welded end flanges for bolted assembly.


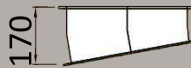
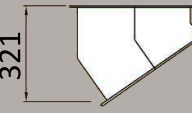
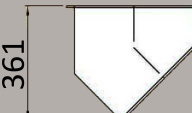
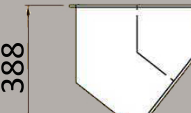


990 mm	1 490 mm	1 990 mm
QR10099	QR10149	QR10199



Q-40 welding flange
QF1050 / QF1051 / QF1052

Vertical bends

7°	10°	35°	45°	52°
				
147	170	321	361	388
BV 10507	BV 10510	BV 10535	BV 10545	BV 10552