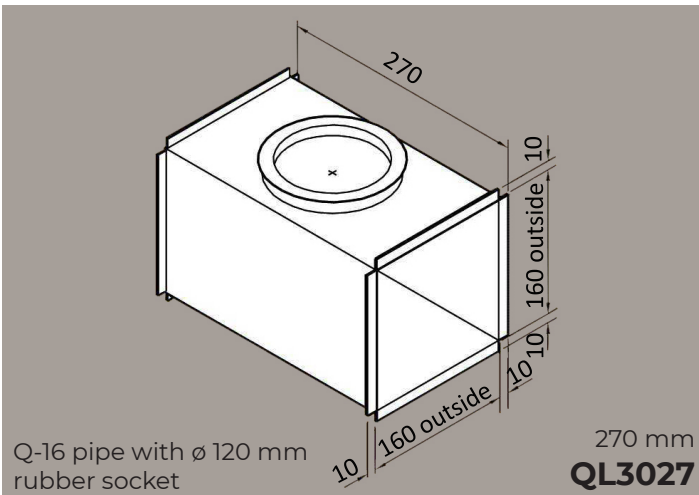
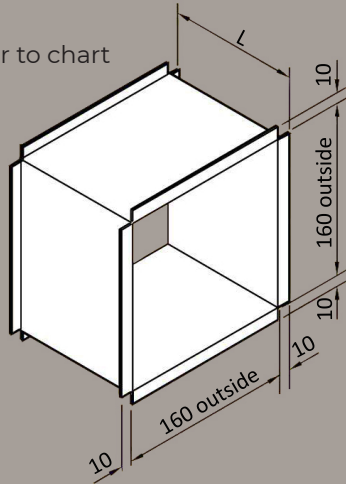


Grain Spouts, Connection Clamps and Flanges TYPE Q-16

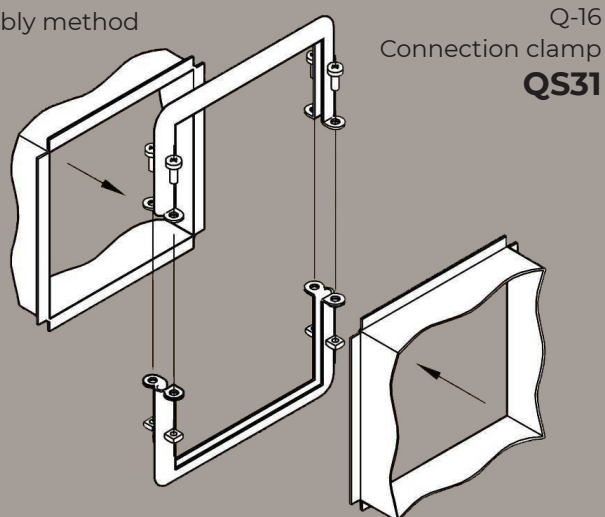
CIMBRIA grain spouts Q-16 have an outside cross section of 160 mm. The spouts are made of 2 mm steel plate and are delivered dip painted in RAL9010.

The spouts are stocked in the following standard lengths: 90 - 120 - 270 - 330 - 470 - 970 - 1470 mm, which are all complete with end flanges for connection clamps.

Q-16 pipe
Length: Refer to chart



Assembly method



90 mm	120 mm	270 mm	330 mm	470 mm	970 mm	1470 mm
QR3009	QR3012	QR3027	QR3033	QR3047	QR3097	QR3147

