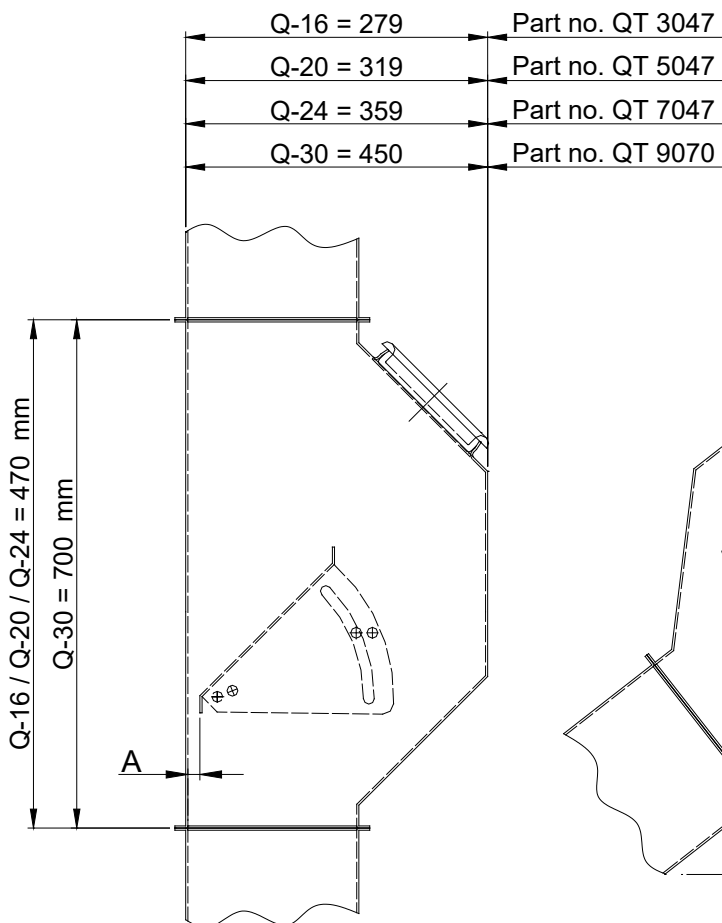
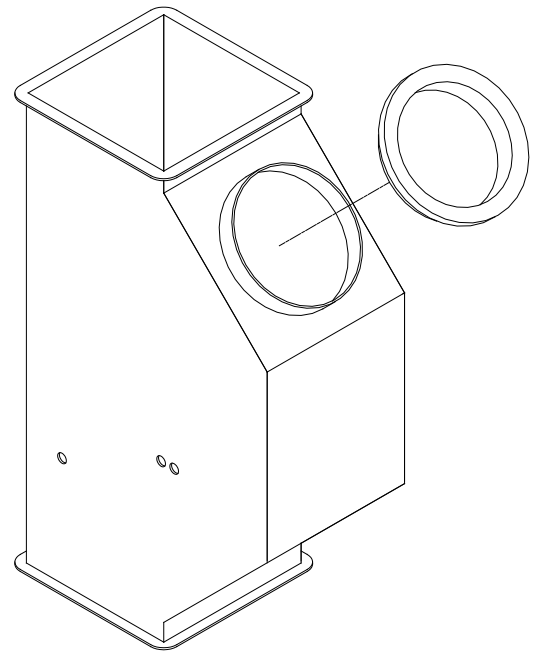


# GRAIN BRAKE for Q-16, Q-20, Q-24 & Q-30

The grain brake is used where there are long, straight spout sections in order to reduce the speed of the material and thus unnecessary wear on the spouts.



A = Gap

A = 6 --> 25 mm