

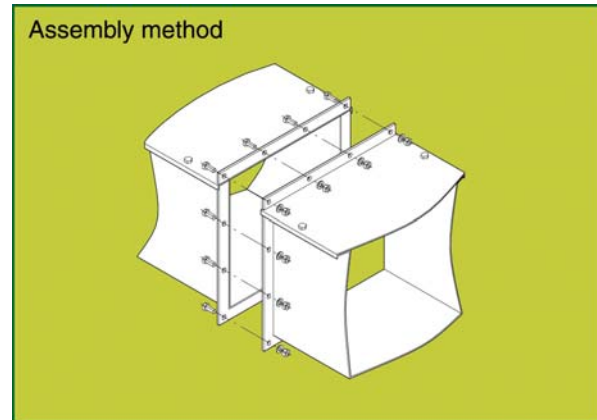
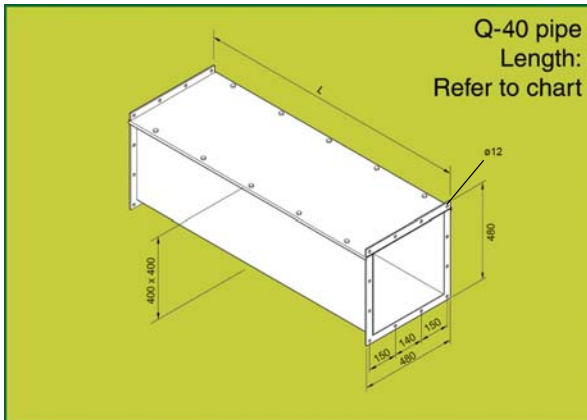
Data Sheet 27

Grain Spouts, Flanges and Bends Type Q-40



Cimbria grain spouts Q-40 have an outside cross section of 400 mm.
 The spouts are made of 5 mm steel plate and are delivered dip painted in RAL9010.
 The spouts are delivered in two parts, trough and cover plate.

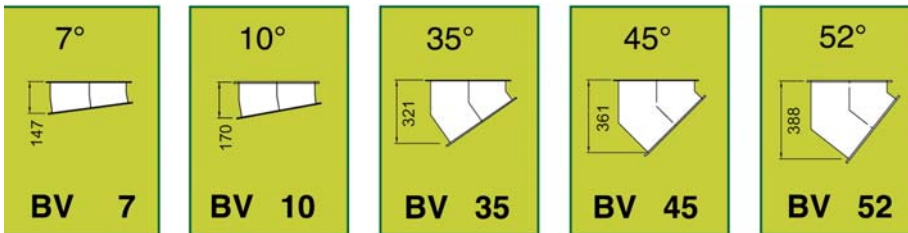
The spouts are stocked in the following standard lengths: 990 - 1490 - 1990 mm, which are all complete with 5 mm welded end flanges for bolted assembly.



990 mm	1490 mm	1990 mm
QR10099	QR10149	QR10199

Q-40 welding flange
QF1050 / QF1051 / QF1052

Vertical bends



BV10507	BV10510	BV10535	BV10545	BV10552
---------	---------	---------	---------	---------

Copyright © - The right to alterations is reserved

