

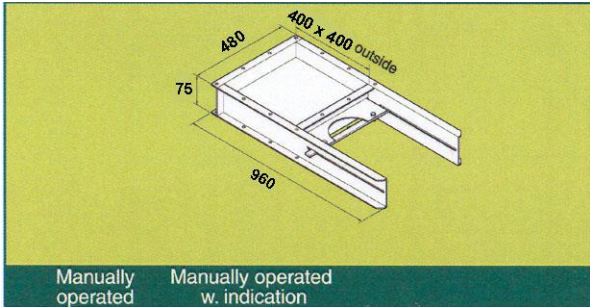
# Data Sheet 27.2

## Shutters SK Type Q-40



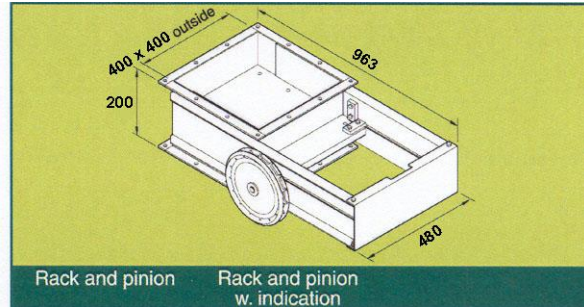
The shutters type SK can be inserted into a grain spout for regulation or cutting off of the flow. The shutter is controlled by means of outside guides ensuring that kernels are not broken.

All shutters type SK do comply with the EU machine directive in the Q-40 series.



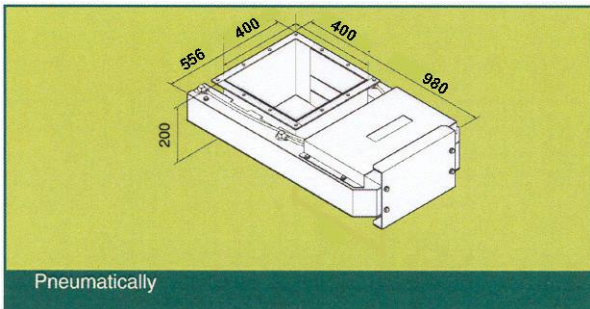
Manually operated      Manually operated w. indication

SK1092      SK1093



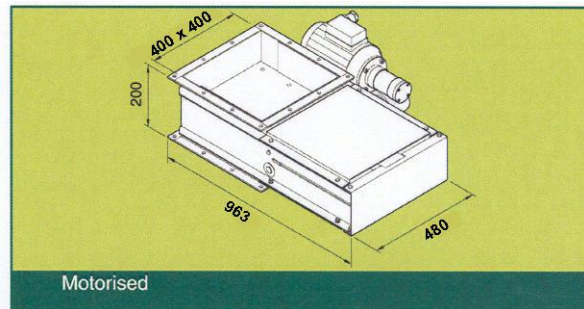
Rack and pinion      Rack and pinion w. indication

SK1094      SK1095



Pneumatically

SK10980



Motorised

SK10990

Copyright © - The right to alterations is reserved