

Data Sheet 26

Air-Lock Valve type QDG-52



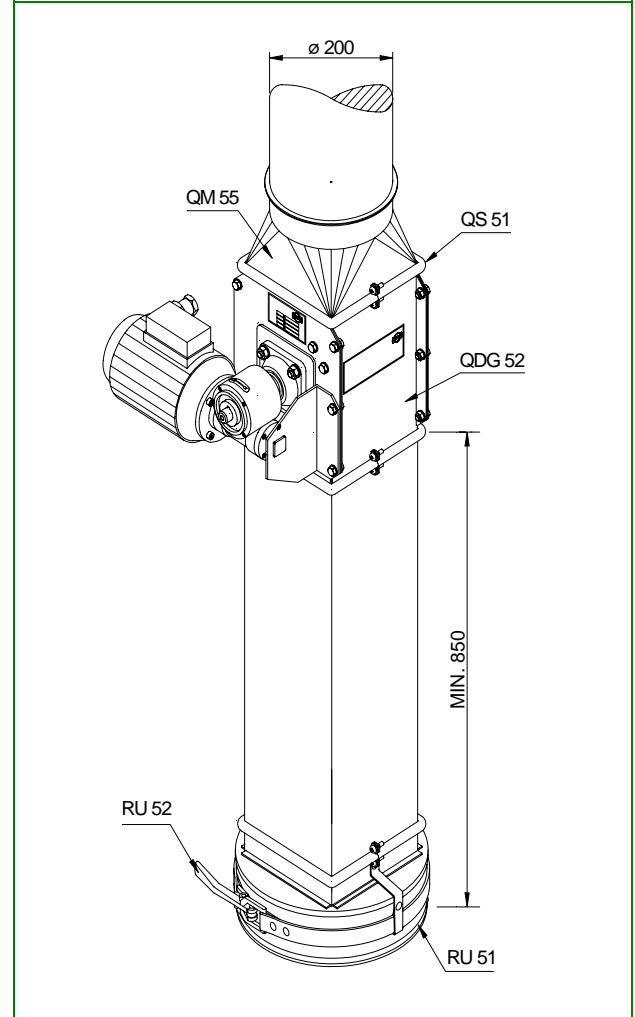
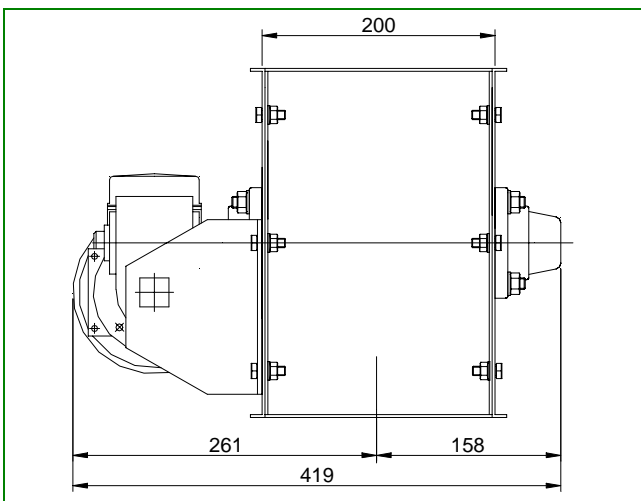
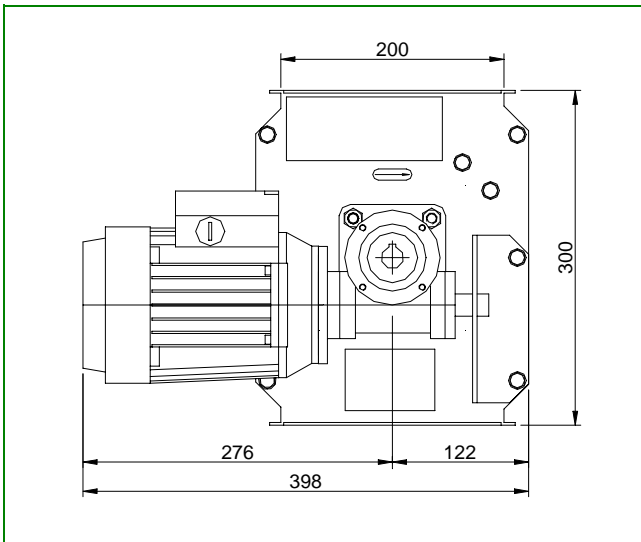
Application

CIMBRIA's air-lock valve type QDG-52 is used for discharge of dust and other separated particles from systems working with vacuum or pressure. It is dust proof and is used as a pressure block between a cyclone and a dust collecting bag.

In connection with CIMBRIA's dust collecting cyclofans the air-lock valve is mounted between the bottom outlet of the mini cyclone and the dust bag, where it ensures a uniform and continuous discharge of dust and other particles, and at the same time minimises the air escaping through the outlet into the dust bag.

Design

The air-lock valve is manufactured from galvanised plate and is complete with a 200 mm (8") steel roller with 6 radial rubber vanes on the shaft. The rotor is carried by ball bearings and its speed does not normally exceed 40 RPMs. The air-lock valve is lubricated for life and is designed for continuous operation.



Installation

The air-lock valve is designed for mounting directly on the Cimbría Q-20 spouting system

TECHNICAL DATA

| | |
|--|--|
| Capacity | 4 litres per RPM 10 m ³ per hour |
| Motor Power | 0.37 kW (0.5 HK) 1.3 Amp, 400 V |
| Revolutions | 1400/40 RPM/min. |
| Gear Box | BJ 01/M4-30/85 ø20 |
| Approx. weight with motor | 30 kg |
| Approx. volume incl. seaworthy packing | 0.1 m ³ |
| Inlet size (square) | 200 mm (8") Q-20 |

Copyright © - The right to alterations is reserved