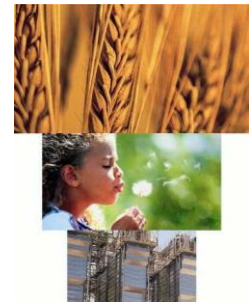


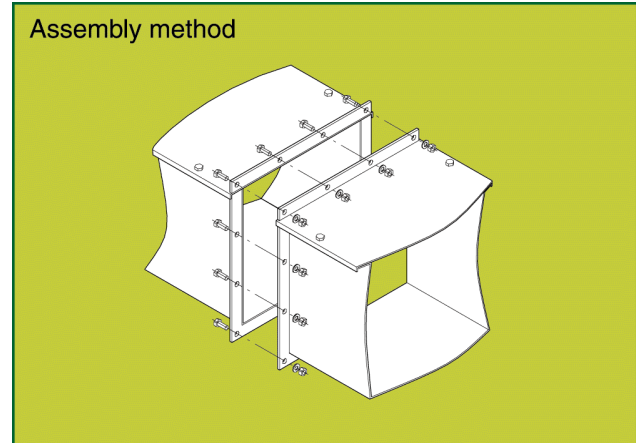
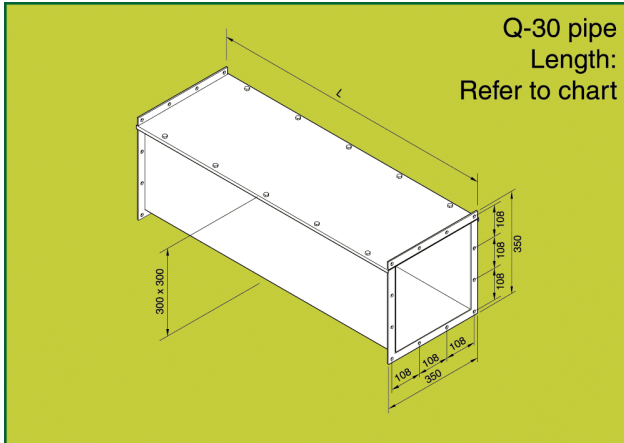
Data Sheet 24

Grain Spouts, Flanges and Bends Type Q-30



Cimbria grain spouts Q-30 have an outside cross section of 300 mm. The spouts are made of 3 mm steel plate and are delivered dip painted in RAL9010. The spouts are delivered in two parts, trough and cover plate.

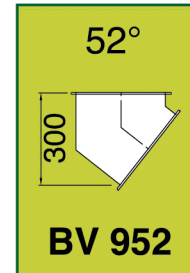
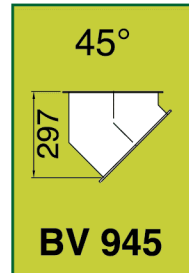
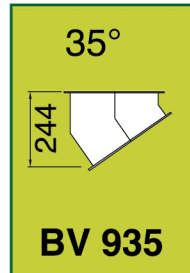
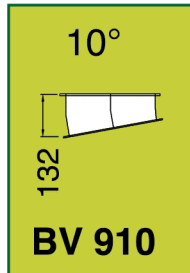
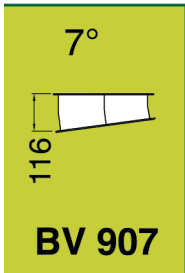
The spouts are stocked in the following standard lengths: 240 - 490 - 990 - 1490 - 1990 mm, which are all complete with 5 mm welded end flanges for bolted assembly.



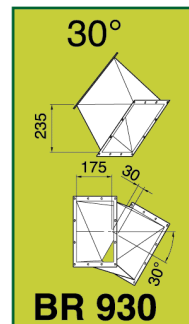
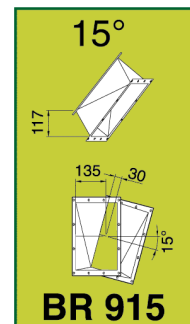
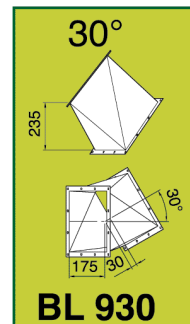
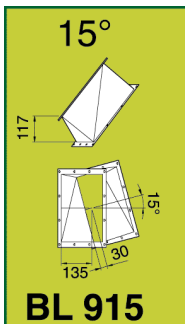
240 mm	490 mm	990 mm	1490 mm	1990 mm
QR90240/1	QR90490/1	QR91001/2	QR91491/2	QR91991/2

Q-30 welding flange
QF921/2

Vertical bends



Twisted bends



Copyright © - The right to alterations is reserved