

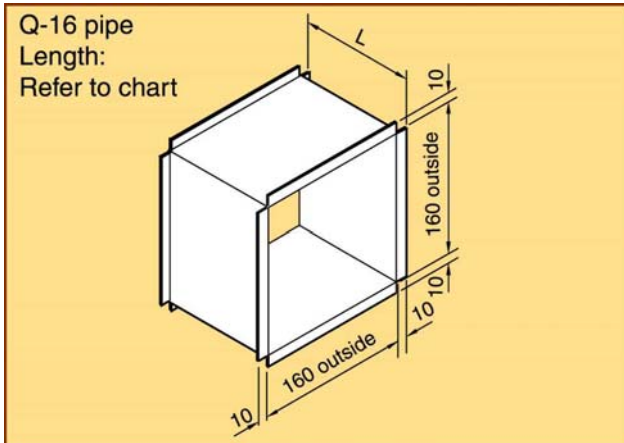
Data Sheet 21

Grain Spouts, Connection Clamps and Flanges Type Q-16



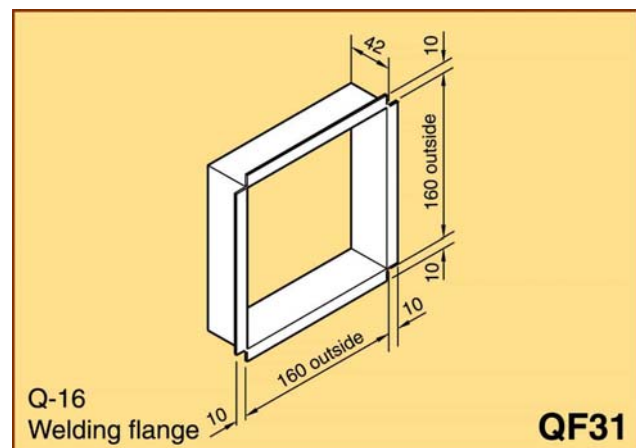
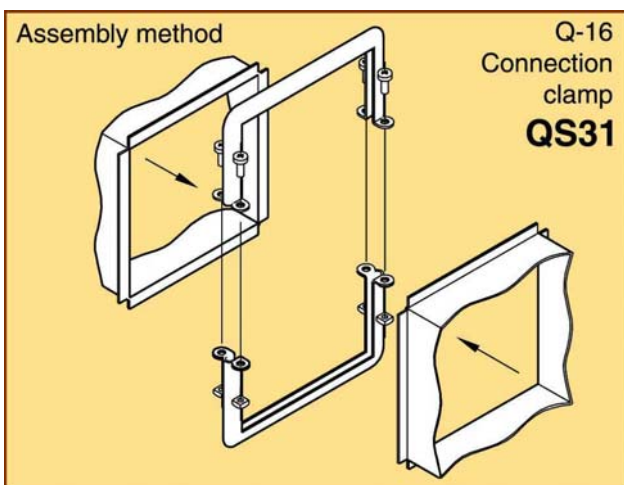
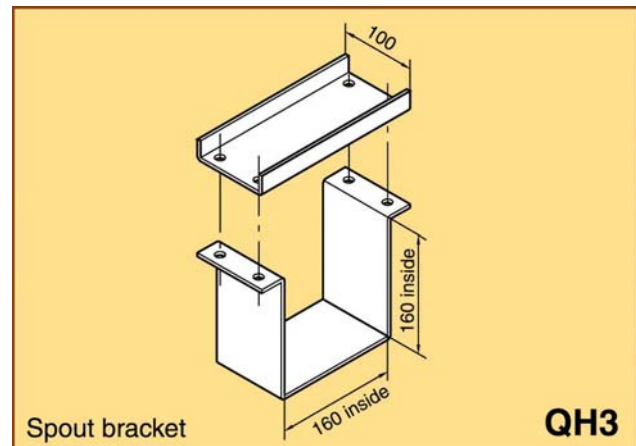
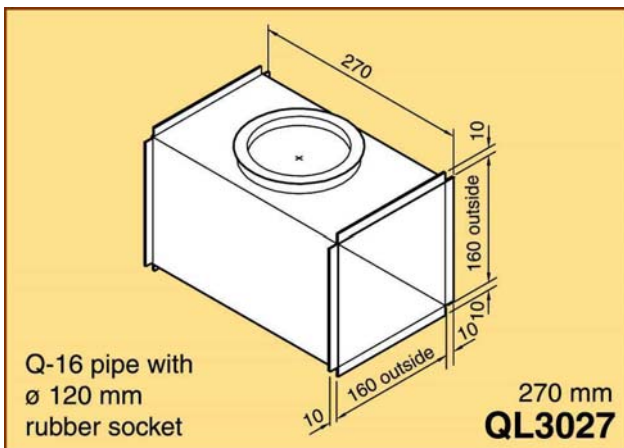
CIMBRIA Grain spouts Q-16 have an outside cross section of 160 mm. The spouts are made of 2 mm steel plate and are delivered dip painted in RAL9010.

The spouts are stocked in the following standard lengths: 90 - 120 - 270 - 330 - 470 - 970 - 1470 mm, which are all complete with end flanges for connection clamps.



90 mm	120 mm	270 mm	330 mm
QR3009	QR3012	QR3027	QR3033

470 mm	970 mm	1470 mm	
QR3047	QR3097	QR3147	



Copyright © - The right to alterations is reserved