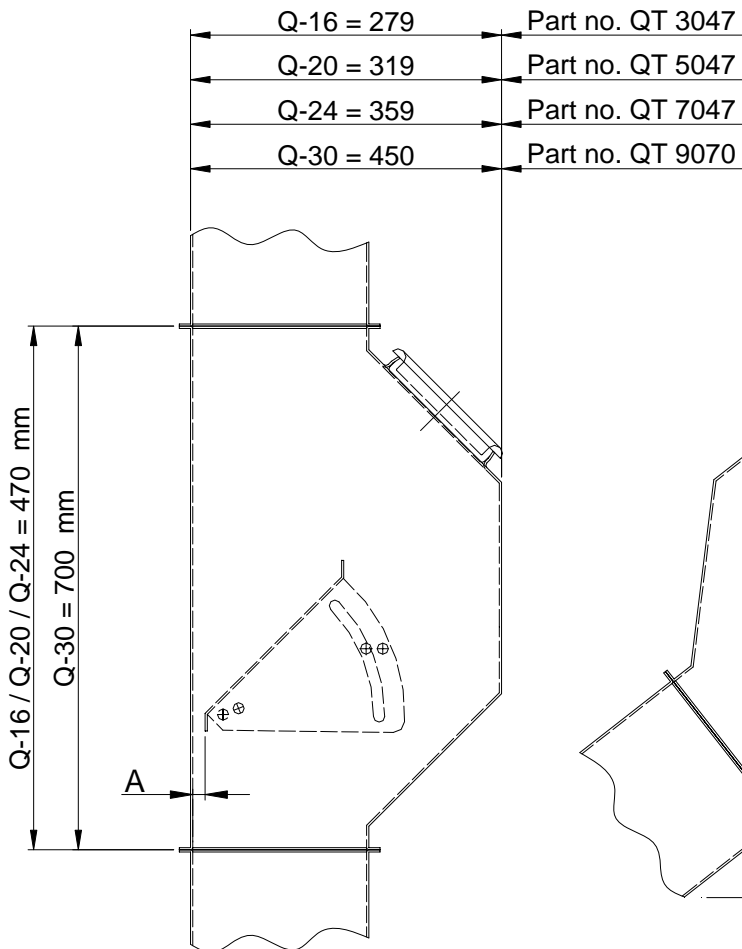
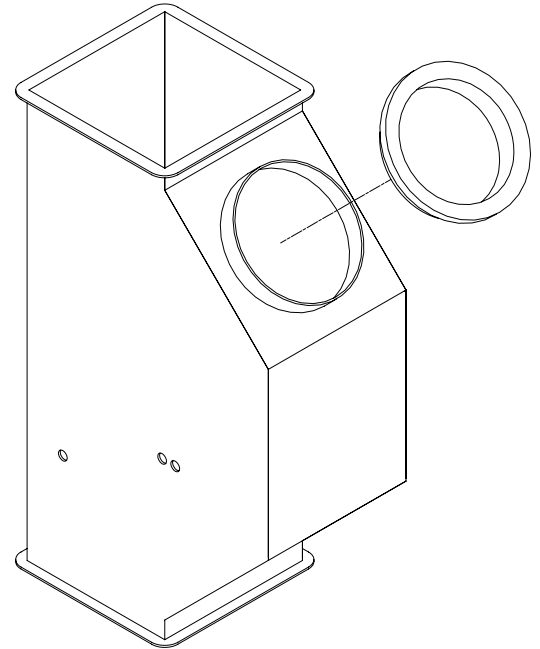


Data Sheet 20.2

Grain Brake for Q-16, Q-20, Q-24 & Q-30



The grain brake is used where there are long, straight spout sections in order to reduce the speed of the material and thus unnecessary wear on the spouts.



A = Gap
 A = 6 --> 25 mm

Copyright © - The right to alterations is reserved

