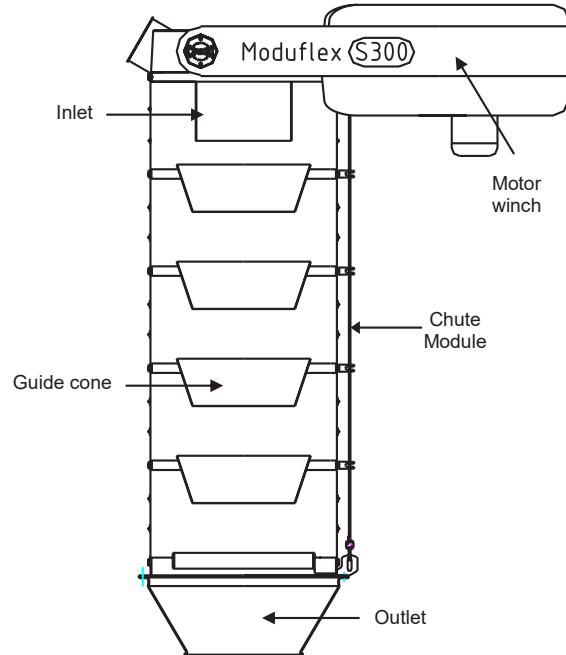


# MODUFLEX LOADING CHUTE S300

## GENERAL

|             |  |
|-------------|--|
| Brand       | Cimbria  |
| Designation | Moduflex Loading Chute                                   |
| Model       | S300   |
| Use         | Designed for dust-free out-loading of dry bulk material. |



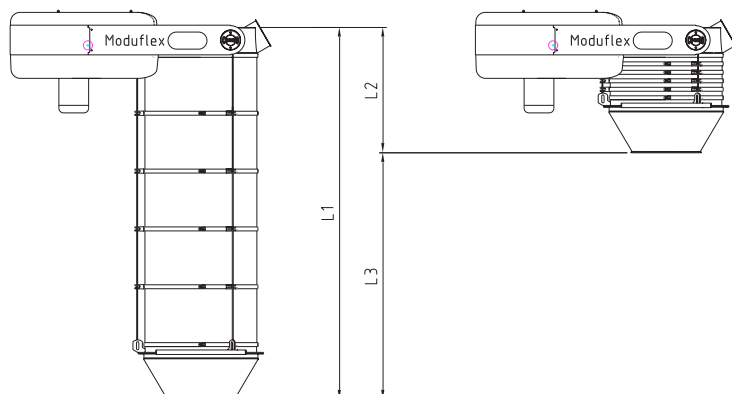
## Technical Information - S300

|               |   |
|---------------|---|
| Inlet         | Cylindrical Inlet tube in 2 mm steel. Fitting Ø300 PN10 flange (DIN 2576B). Mounted with 12 off M20 bolts. Exhaust connection Ø150, optionally with automatic closing function.   |
| Chute modules | Type Y - Standard: Yellow. PVC/Polyester. Ø600mm/H=300mm. Temperature -35°C - +70°C<br>Type M - Food Grade: Light Grey. PVC/Polyester. Ø600mm/H=300mm. Temperature -30°C - +70°C<br>Type W - Special: Misc. PVC/Polyester. Ø600mm/H=300mm. Temperature -35°C - +70°C<br>Type B - Heavy Duty: Black. Synthetic rubber. Ø600mm/H=300mm. Temperature -40°C - +130°C<br>Type G - Extreme temperature: Grey. Teflon/Fiber glass. Ø600mm/H=300mm. Temperature -35°C - +260°C<br>Type R - High temperature: Red. Polyester and fiber/silicone rubber. Ø600/H300mm. Temp. -40°C - +150°C (peak +220°C)<br>Type Z - Low temperature: Green. PVC/PU. Ø600mm/H300mm. Temperature -60° C - +70° C<br>Connection ring in stainless steel Aisi 304, c/w 3 off wire guides in nylon. |
| Guide cones   | Type O - Support ring. Steel, H=30mm<br>Type U - Ultramid. Polyamide 6.6. H=150mm, pt=6mm.<br>Type J - Steel Standard. Steel, H=150mm, pt=2mm.  |
| Outlet        | Type T - Tank Outlet with steel cone for loading in tanker truck.<br>Type F - Flat Outlet with dust skirt for loading in open truck.<br>Type M - Multi Outlet with steel cone and dust skirt for loading in tanker truck and open truck.  |
| Motor winch   | Motor 0.55 -2.2 kW, 1400 rpm. Gear box ratio 100:1. Tight and slack wire indication. External 3-point wire hoist system with high precision ball bearings and 3 off winch discs vertically fitted. Hoist wires Ø5mm available in steel, stainless steel Aisi316 or Long Life steel quality. Self-lubricating wire rollers in Ertalite TX, alternatively steel/stainless steel with bronze bearing   |
| General info  | Max. loading capacity approx. 250 m <sup>3</sup> /hour. Recommended connecting value for aspiration 1200 m <sup>3</sup> /hour 500-1500 Pa.<br>Metal parts available in painted steel st. 37 or stainless steel Aisi 304. Other steel qualities on demand. Surface treatment St. 37: Iron phosphating, 80 micron coating RAL 9010 pure white. Surface treatment Aisi 304: Acid-washed without any further treatment Motor winch covers in ABS - RAL 6005 dark green. Available with full approval and certificates for location in ATEX zone 21 and 22 (zone 20 inside the chute)  |

Accessories for Loading Chute S300, please see separate Data Sheet

# MODUFLEX LOADING CHUTE S300

| S300 |                |       |       |                    |       |       |                |       |       |                    |       |       |                |       |       |                    |       |       |
|------|----------------|-------|-------|--------------------|-------|-------|----------------|-------|-------|--------------------|-------|-------|----------------|-------|-------|--------------------|-------|-------|
| M    | Outlet type TS |       |       | Steel/support ring |       |       | Outlet type FS |       |       | Steel/support ring |       |       | Outlet type MS |       |       | Steel/support ring |       |       |
|      | L1             | L2    | L3    | L1                 | L2    | L3    | L1             | L2    | L3    | L1                 | L2    | L3    | L1             | L2    | L3    | L1                 | L2    | L3    |
| 1    | 747            | 485   | 262   | 747                | 485   | 262   | 762            | 500   | 262   | 762                | 500   | 262   |                |       |       |                    |       |       |
| 2    | 1 054          | 521   | 533   | 1 054              | 530   | 524   | 1 069          | 536   | 533   | 1 069              | 545   | 524   |                |       |       |                    |       |       |
| 3    | 1 361          | 557   | 804   | 1 361              | 575   | 786   | 1 376          | 572   | 804   | 1 376              | 590   | 786   |                |       |       |                    |       |       |
| 4    | 1 668          | 593   | 1 075 | 1 668              | 620   | 1 048 | 1 683          | 608   | 1 075 | 1 683              | 635   | 1 048 |                |       |       |                    |       |       |
| 5    | 1 975          | 629   | 1 346 | 1 975              | 665   | 1 310 | 1 990          | 644   | 1 346 | 1 990              | 680   | 1 310 |                |       |       |                    |       |       |
| 6    | 2 282          | 665   | 1 617 | 2 282              | 710   | 1 572 | 2 297          | 680   | 1 617 | 2 297              | 725   | 1 572 | 2 582          | 965   | 1 617 | 2 582              | 1 010 | 1 572 |
| 7    | 2 589          | 701   | 1 888 | 2 589              | 755   | 1 834 | 2 604          | 716   | 1 888 | 2 604              | 770   | 1 834 | 2 889          | 1 001 | 1 888 | 2 889              | 1 055 | 1 834 |
| 8    | 2 896          | 737   | 2 159 | 2 896              | 800   | 2 096 | 2 911          | 752   | 2 159 | 2 911              | 815   | 2 096 | 3 196          | 1 037 | 2 159 | 3 196              | 1 100 | 2 096 |
| 9    | 3 203          | 773   | 2 430 | 3 203              | 845   | 2 358 | 3 218          | 788   | 2 430 | 3 218              | 860   | 2 358 | 3 503          | 1 073 | 2 430 | 3 503              | 1 145 | 2 358 |
| 10   | 3 510          | 809   | 2 701 | 3 510              | 890   | 2 620 | 3 525          | 824   | 2 701 | 3 525              | 905   | 2 620 | 3 810          | 1 109 | 2 701 | 3 810              | 1 190 | 2 620 |
| 11   | 3 817          | 845   | 2 972 | 3 817              | 935   | 2 882 | 3 832          | 860   | 2 972 | 3 832              | 950   | 2 882 | 4 117          | 1 145 | 2 972 | 4 117              | 1 235 | 2 882 |
| 12   | 4 124          | 881   | 3 243 | 4 124              | 980   | 3 144 | 4 139          | 896   | 3 243 | 4 139              | 995   | 3 144 | 4 424          | 1 181 | 3 243 | 4 424              | 1 280 | 3 144 |
| 13   | 4 431          | 917   | 3 514 | 4 431              | 1 025 | 3 406 | 4 446          | 932   | 3 514 | 4 446              | 1 040 | 3 406 | 4 731          | 1 217 | 3 514 | 4 731              | 1 325 | 3 406 |
| 14   | 4 738          | 953   | 3 785 | 4 738              | 1 070 | 3 668 | 4 753          | 968   | 3 785 | 4 753              | 1 085 | 3 668 | 5 038          | 1 253 | 3 785 | 5 038              | 1 370 | 3 668 |
| 15   | 5 045          | 989   | 4 056 | 5 045              | 1 115 | 3 930 | 5 060          | 1 004 | 4 056 | 5 060              | 1 130 | 3 930 | 5 345          | 1 289 | 4 056 | 5 345              | 1 415 | 3 930 |
| 16   | 5 352          | 1 025 | 4 327 | 5 352              | 1 160 | 4 192 | 5 367          | 1 040 | 4 327 | 5 367              | 1 175 | 4 192 | 5 652          | 1 325 | 4 327 | 5 652              | 1 460 | 4 192 |
| 17   | 5 659          | 1 061 | 4 598 | 5 659              | 1 205 | 4 454 | 5 674          | 1 076 | 4 598 | 5 674              | 1 220 | 4 454 | 5 959          | 1 361 | 4 598 | 5 959              | 1 505 | 4 454 |
| 18   | 5 966          | 1 097 | 4 869 | 5 966              | 1 250 | 4 716 | 5 981          | 1 112 | 4 869 | 5 981              | 1 265 | 4 716 | 6 266          | 1 397 | 4 869 | 6 266              | 1 550 | 4 716 |
| 19   | 6 273          | 1 133 | 5 140 | 6 273              | 1 295 | 4 978 | 6 288          | 1 148 | 5 140 | 6 288              | 1 310 | 4 978 | 6 573          | 1 433 | 5 140 | 6 573              | 1 595 | 4 978 |
| 20   | 6 580          | 1 169 | 5 411 | 6 580              | 1 340 | 5 240 | 6 595          | 1 184 | 5 411 | 6 595              | 1 355 | 5 240 | 6 880          | 1 469 | 5 411 | 6 880              | 1 640 | 5 240 |
| 21   | 6 887          | 1 205 | 5 682 | 6 887              | 1 385 | 5 502 | 6 902          | 1 220 | 5 682 | 6 902              | 1 400 | 5 502 | 7 187          | 1 505 | 5 682 | 7 187              | 1 685 | 5 502 |
| 22   | 7 194          | 1 241 | 5 953 | 7 194              | 1 430 | 5 764 | 7 209          | 1 256 | 5 953 | 7 209              | 1 445 | 5 764 | 7 494          | 1 541 | 5 953 | 7 494              | 1 730 | 5 764 |
| 23   | 7 501          | 1 277 | 6 224 | 7 501              | 1 475 | 6 026 | 7 516          | 1 292 | 6 224 | 7 516              | 1 490 | 6 026 | 7 801          | 1 577 | 6 224 | 7 801              | 1 775 | 6 026 |
| 24   | 7 808          | 1 313 | 6 495 | 7 808              | 1 520 | 6 288 | 7 823          | 1 328 | 6 495 | 7 823              | 1 535 | 6 288 | 8 108          | 1 613 | 6 495 | 8 108              | 1 820 | 6 288 |
| 25   | 8 115          | 1 349 | 6 766 | 8 115              | 1 565 | 6 550 | 8 130          | 1 364 | 6 766 | 8 130              | 1 580 | 6 550 | 8 415          | 1 649 | 6 766 | 8 415              | 1 865 | 6 550 |
| 26   | 8 422          | 1 385 | 7 037 | 8 422              | 1 610 | 6 812 | 8 437          | 1 400 | 7 037 | 8 437              | 1 625 | 6 812 | 8 722          | 1 685 | 7 037 | 8 722              | 1 910 | 6 812 |
| 27   | 8 729          | 1 421 | 7 308 | 8 729              | 1 655 | 7 074 | 8 744          | 1 436 | 7 308 | 8 744              | 1 670 | 7 074 | 9 029          | 1 721 | 7 308 | 9 029              | 1 955 | 7 074 |
| 28   | 9 036          | 1 457 | 7 579 | 9 036              | 1 700 | 7 336 | 9 051          | 1 472 | 7 579 | 9 051              | 1 715 | 7 336 | 9 336          | 1 757 | 7 579 | 9 336              | 2 000 | 7 336 |
| 29   | 9 343          | 1 493 | 7 850 | 9 343              | 1 745 | 7 598 | 9 358          | 1 508 | 7 850 | 9 358              | 1 760 | 7 598 | 9 643          | 1 793 | 7 850 | 9 643              | 2 045 | 7 598 |
| 30   | 9 650          | 1 529 | 8 121 | 9 650              | 1 790 | 7 860 | 9 665          | 1 544 | 8 121 | 9 665              | 1 805 | 7 860 | 9 950          | 1 829 | 8 121 | 9 950              | 2 090 | 7 860 |
| 31   | 9 957          | 1 565 | 8 392 | 9 957              | 1 835 | 8 122 | 9 972          | 1 580 | 8 392 | 9 972              | 1 850 | 8 122 | 10 257         | 1 865 | 8 392 | 10 257             | 2 135 | 8 122 |
| 32   | 10 264         | 1 601 | 8 663 | 10 264             | 1 880 | 8 384 | 10 279         | 1 616 | 8 663 | 10 279             | 1 895 | 8 384 | 10 564         | 1 901 | 8 663 | 10 564             | 2 180 | 8 384 |
| 33   | 10 571         | 1 637 | 8 934 | 10 571             | 1 925 | 8 646 | 10 586         | 1 652 | 8 934 | 10 586             | 1 940 | 8 646 | 10 871         | 1 937 | 8 934 | 10 871             | 2 225 | 8 646 |
| 34   | 10 878         | 1 673 | 9 205 | 10 878             | 1 970 | 8 908 | 10 893         | 1 688 | 9 205 | 10 893             | 1 985 | 8 908 | 11 178         | 1 973 | 9 205 | 11 178             | 2 270 | 8 908 |
| 35   | 11 185         | 1 709 | 9 476 | 11 185             | 2 015 | 9 170 | 11 200         | 1 724 | 9 476 | 11 200             | 2 030 | 9 170 | 11 485         | 2 009 | 9 476 | 11 485             | 2 315 | 9 170 |



# MODUFLEX LOADING CHUTE

## S300

### S300 with FlexClose no indicator

| Cone      |       | Ultramid |       |       | Steel/support ring |       |       |
|-----------|-------|----------|-------|-------|--------------------|-------|-------|
| Indicator |       | None     |       |       | None               |       |       |
| M         | LC    | L1       | L2    | L3    | L1                 | L2    | L3    |
| 2         | 1 138 | 1 408    | 880   | 528   | 1 408              | 889   | 519   |
| 3         | 1 445 | 1 715    | 916   | 799   | 1 715              | 934   | 781   |
| 4         | 1 752 | 2 022    | 952   | 1 070 | 2 022              | 979   | 1 043 |
| 5         | 2 059 | 2 329    | 988   | 1 341 | 2 329              | 1 024 | 1 305 |
| 6         | 2 366 | 2 636    | 1 024 | 1 612 | 2 636              | 1 069 | 1 567 |
| 7         | 2 673 | 2 943    | 1 060 | 1 883 | 2 943              | 1 114 | 1 829 |
| 8         | 2 980 | 3 250    | 1 096 | 2 154 | 3 250              | 1 159 | 2 091 |
| 9         | 3 287 | 3 557    | 1 132 | 2 425 | 3 557              | 1 204 | 2 353 |
| 10        | 3 594 | 3 864    | 1 168 | 2 696 | 3 864              | 1 249 | 2 615 |

### S300 with FlexClose and FlexSeal no indicator

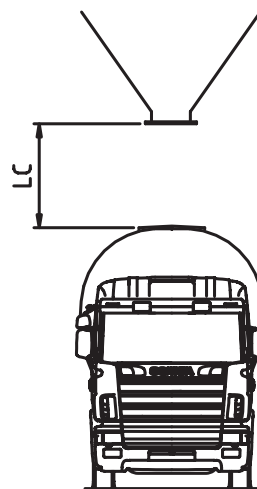
| Cone      |       | Ultramid |       |       | Steel/support ring |       |       |
|-----------|-------|----------|-------|-------|--------------------|-------|-------|
| Indicator |       | None     |       |       | None               |       |       |
| M         | LC    | L1       | L2    | L3    | L1                 | L2    | L3    |
| 2         | 1 138 | 1 408    | 910   | 498   | 1 408              | 919   | 489   |
| 3         | 1 445 | 1 715    | 946   | 769   | 1 715              | 964   | 751   |
| 4         | 1 752 | 2 022    | 982   | 1 040 | 2 022              | 1 009 | 1 013 |
| 5         | 2 059 | 2 329    | 1 018 | 1 311 | 2 329              | 1 054 | 1 275 |
| 6         | 2 366 | 2 636    | 1 054 | 1 582 | 2 636              | 1 099 | 1 537 |
| 7         | 2 673 | 2 943    | 1 090 | 1 853 | 2 943              | 1 144 | 1 799 |
| 8         | 2 980 | 3 250    | 1 126 | 2 124 | 3 250              | 1 189 | 2 061 |
| 9         | 3 287 | 3 557    | 1 162 | 2 395 | 3 557              | 1 234 | 2 323 |
| 10        | 3 594 | 3 864    | 1 198 | 2 666 | 3 864              | 1 279 | 2 585 |

### S300 with Flexclose - with/without FlexSeal + indicator

| Cone      |       | Ultramid            |       |       | Steel/support ring  |       |       | Ultramid      |       |       | Steel/support ring |       |       |
|-----------|-------|---------------------|-------|-------|---------------------|-------|-------|---------------|-------|-------|--------------------|-------|-------|
| Indicator |       | Rotating/Capacitive |       |       | Rotating/Capacitive |       |       | Vibration rod |       |       | Vibration rod      |       |       |
| M         | LC    | L1                  | L2    | L3    | L1                  | L2    | L3    | L1            | L2    | L3    | L1                 | L2    | L3    |
| 2         | 1 138 | 1 568               | 1 040 | 528   | 1 568               | 1 049 | 519   | 1 638         | 1 110 | 528   | 1 638              | 1 119 | 519   |
| 3         | 1 445 | 1 875               | 1 076 | 799   | 1 875               | 1 094 | 781   | 1 945         | 1 146 | 799   | 1 945              | 1 164 | 781   |
| 4         | 1 752 | 2 182               | 1 112 | 1 070 | 2 182               | 1 139 | 1 043 | 2 252         | 1 182 | 1 070 | 2 252              | 1 209 | 1 043 |
| 5         | 2 059 | 2 489               | 1 148 | 1 341 | 2 489               | 1 184 | 1 305 | 2 559         | 1 218 | 1 341 | 2 559              | 1 254 | 1 305 |
| 6         | 2 366 | 2 796               | 1 184 | 1 612 | 2 796               | 1 229 | 1 567 | 2 866         | 1 254 | 1 612 | 2 866              | 1 299 | 1 567 |
| 7         | 2 673 | 3 103               | 1 220 | 1 883 | 3 103               | 1 274 | 1 829 | 3 173         | 1 290 | 1 883 | 3 173              | 1 344 | 1 829 |
| 8         | 2 980 | 3 410               | 1 256 | 2 154 | 3 410               | 1 319 | 2 091 | 3 480         | 1 326 | 2 154 | 3 480              | 1 389 | 2 091 |
| 9         | 3 287 | 3 717               | 1 292 | 2 425 | 3 717               | 1 364 | 2 353 | 3 787         | 1 362 | 2 425 | 3 787              | 1 434 | 2 353 |
| 10        | 3 594 | 4 024               | 1 328 | 2 696 | 4 024               | 1 409 | 2 615 | 4 094         | 1 398 | 2 696 | 4 094              | 1 479 | 2 615 |

### S300 with Flexfill

| Cone |       | Ultramid |       |       | Steel/support ring |       |       |
|------|-------|----------|-------|-------|--------------------|-------|-------|
| M    | LC    | L1       | L2    | L3    | L1                 | L2    | L3    |
| 3    | 1 635 | 1 939    | 1 135 | 804   | 1 939              | 1 153 | 786   |
| 4    | 1 942 | 2 246    | 1 171 | 1 075 | 2 246              | 1 198 | 1 048 |
| 5    | 2 249 | 2 553    | 1 207 | 1 346 | 2 553              | 1 243 | 1 310 |
| 6    | 2 556 | 2 860    | 1 243 | 1 617 | 2 860              | 1 288 | 1 572 |
| 7    | 2 863 | 3 167    | 1 279 | 1 888 | 3 167              | 1 333 | 1 834 |
| 8    | 3 170 | 3 474    | 1 315 | 2 159 | 3 474              | 1 378 | 2 096 |
| 9    | 3 477 | 3 781    | 1 351 | 2 430 | 3 781              | 1 423 | 2 358 |
| 10   | 3 784 | 4 088    | 1 387 | 2 701 | 4 088              | 1 468 | 2 620 |



LC measure to be used when the loading chute is fitted with FlexClose or FlexFill.