

FLEXCLOSE TS/TH 400

GENERAL

Brand	Cimbria
Designation	Moduflex Flexclose
Model	TS/TH 400
Use	Designed for dust-free out-loading of dry bulk material.

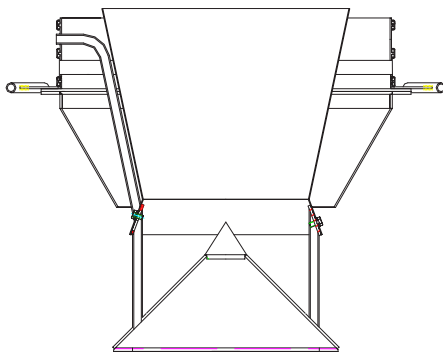


Technical information - FlexClose

The Cimbria Moduflex loading chutes type S400, F400, K400, N400 and HDF400 can be equipped with a FlexClose which is opened and closed as an integrated part of the lifting and lowering function.

The FlexClose has two main functions:

1. The loading chute is always sealed off when disconnected from the material recipient. This prevents unwanted objects entering the loading chute, such as birds or insects. This function also reduces the absorption of moisture from the air by hygroscopic products.
2. As the loading chute is closed whenever disconnected from the material recipient, waste and spillage is considerably reduced meaning less time and resources used for washing and cleaning of both vehicles and the surroundings.



FlexClose closed



FlexClose open