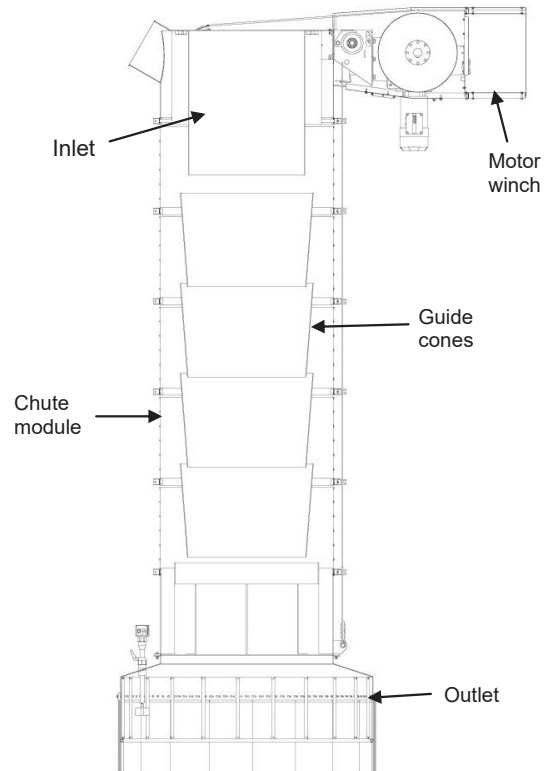
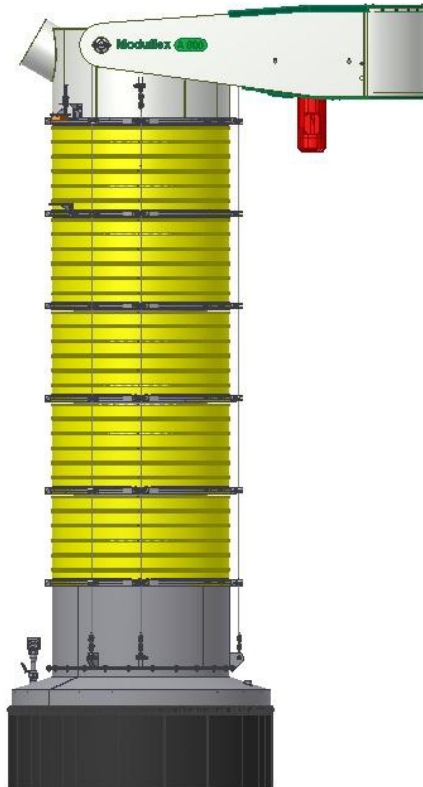


MODUFLEX LOADING CHUTE A800

GENERAL

Brand	Cimbria
Designation	Moduflex Loading Chute
Model	A800
Use	Designed for dust-free out-loading of dry bulk material.



Technical Information - A800

Inlet	Cylindrical inlet in 3 mm steel. With DN800 connection with flange. 1 off exhaust connections Ø350.
Chute modules	Type Y - Standard: Yellow. PVC/Polyester. Ø=1200mm/H=625mm. Temperature -35°C - +70°C Type B - Heavy Duty: Black. Synthetic rubber. Ø=1200mm/H=625mm. Temperature -40°C - +130°C Type R - High temperature: Red. Polyester and fiber/silicone rubber. Ø1200/H625mm. Temp. -40°+150°C(peak+220°C). Type Z - Low temperature: Green. PVC/PU. Ø1200mm/H=625mm. Temperature -60° C - +70° C. Connection ring in stainless steel AISI 304, c/w 3 off wire guides in nylon and fittings for relief wires.
Guide cones	Type J - Steel Standard. Steel, H=300mm, pt=2/4mm. Type L - Steel Overlapping. Steel, H=650mm, pt=2/4mm.
Outlet	Type F - Flat outlet with dust skirt for open loading. Type T – Tank outlet for closed loading.
Motor winch	Motor 2.2- 7,5 kW. Gear box ratio 124-143:1, 1425-1460rpm. Tight wire indication on 1 hoisting wire and slack wire indication on 3 hoisting wires. External 3-point wire hoist system with high precision ball bearings and 3 off winch discs vertically fitted. 2 off relief wires. Hoist/relief wires Ø8mm available in steel or stainless steel AISI316. Wire rollers in steel or stainless steel with high precision ball bearings.
General info	Max. loading capacity approx. 1800 m ³ /hour. Recommended connecting value for aspiration 7000m ³ /hour 500-1500 Pa. Metal parts available in steel st. 37, stainless steel AISI 304 or Hardox 400. Other steel qualities on demand. Surface treatment st. 37/Hardox 400: Iron phosphating, 80 micron coating RAL 9010 pure white. Surface treatment AISI 304: Acid-washed without any further treatment Optional: Hot dip galvanized inlet/outlet. Available with full approval and certificates for location in ATEX zone 22 (zone 20 inside the chute)

MODUFLEX LOADING CHUTE

A800

A800			
Outlet type F			
Cone	Steel		
M	L1	L2	L3
1	2 639	2 104	535
2	3 264	2 194	1 070
3	3 889	2 284	1 605
4	4 514	2 374	2 140
5	5 139	2 464	2 675
6	5 764	2 554	3 210
7	6 389	2 644	3 745
8	7 014	2 734	4 280
9	7 639	2 824	4 815
10	8 264	2 914	5 350
11	8 889	3 004	5 885
12	9 514	3 094	6 420
13	10 139	3 184	6 955
14	10 764	3 274	7 490
15	11 389	3 364	8 025
16	12 014	3 454	8 560
17	12 639	3 544	9 095
18	13 264	3 634	9 630
19	13 889	3 724	10 165
20	14 514	3 814	10 700
21	15 139	3 904	11 235
22	15 764	3 994	11 770
23	16 389	4 084	12 305
24	17 014	4 174	12 840
25	17 639	4 264	13 375
26	18 264	4 354	13 910
27	18 889	4 444	14 445
28	19 514	4 534	14 980
29	20 139	4 624	15 515
30	20 764	4 714	16 050
31	21 389	4 804	16 585
32	22 014	4 894	17 120
33	22 639	4 984	17 655
34	23 264	5 074	18 190
35	23 889	5 164	18 725
36	24 514	5 254	19 260
37	25 139	5 344	19 795
38	25 764	5 434	20 330
39	26 389	5 524	20 865
40	27 014	5 614	21 400

