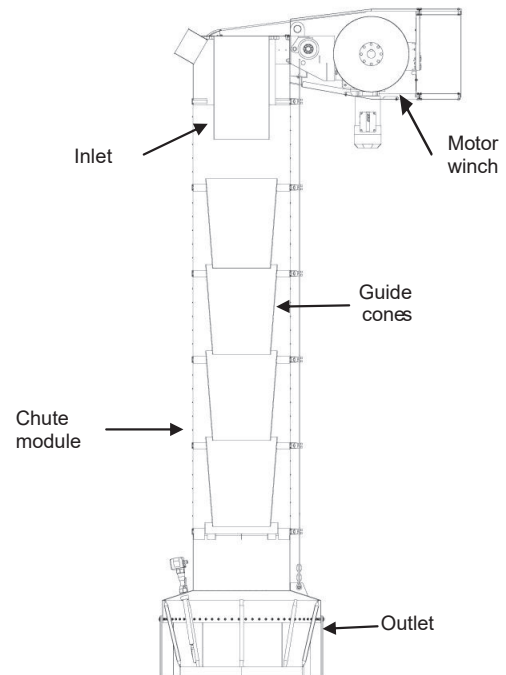
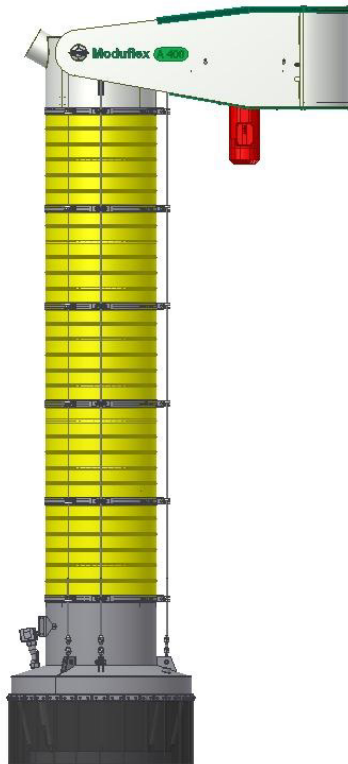


# MODUFLEX LOADING CHUTE A400

## GENERAL

Brand	Cimbria
Designation	Moduflex Loading Chute
Model	A400
Use	Designed for dust-free out-loading of dry bulk material.



## Technical Information - A400

Inlet	Cylindrical inlet in 3 mm steel. With DN400 connection with flange. 1 off exhaust connections Ø200
Chute modules	Type Y - Standard: Yellow. PVC/Polyester. Ø=700mm/H=625mm. Temperature -35°C - +70°C. Type B - Heavy Duty: Black. Synthetic rubber. Ø=700mm/H=625mm. Temperature -40°C - +130°C. Type R - High temperature: Red. Polyester and fiber/silicone rubber. Ø700/H625mm. Temp. -40°C - +150°C (peak +220°C). Type Z - Low temperature: Green. PVC/PU. Ø700mm/H=625mm. Temperature -60°C - +70°C. Connection ring in stainless steel AISI 304, c/w 3 off wire guides in nylon and fittings for relief wires.
Guide cones	Type J - Steel Standard. Steel, H=300mm, pt=2/4mm. Type L - Steel Overlapping. Steel, H=650mm, pt=2/4mm.
Outlet	Type F – Flat outlet with dust skirt for open loading. Type T for closed loading.
Motor winch	Motor 2.2 - 4 kW, Gear box ratio 124-127:1, 1425-1460 rpm. Tight wire indication on 1 hoisting wire and slack wire indication on 3 hoisting wires. External 3-point wire hoist system with high precision ball bearings and 3 off winch discs vertically fitted. 2 off relief wires. Hoist/relief wires Ø8mm available in steel or stainless steel Aisi316. Wire rollers in steel or stainless steel with high precision ball bearings.
General info	Max. loading capacity approx. 440 m <sup>3</sup> /hour. Recommended connecting value for aspiration 2200m <sup>3</sup> /hour 500-1500 Pa. Metal parts available in steel st. 37, stainless steel AISI 304 or Hardox 400. Other steel qualities on demand. Surface treatment st. 37/Hardox 400: Iron phosphating, 80 micron coating RAL 9010 pure white. Surface treatment AISI 304: Acid-washed without any further treatment. Optional: Hot dip galvanized inlet/outlet. Available with full approval and certificates for location in ATEX zone 22 (zone 20 inside the chute)

# MODUFLEX LOADING CHUTE

# A400

A400			
Outlet type F			
Cone	Steel		
M	L1	L2	L3
1	2 162	1 627	535
2	2 787	1 717	1 070
3	3 412	1 807	1 605
4	4 037	1 897	2 140
5	4 662	1 987	2 675
6	5 287	2 077	3 210
7	5 912	2 167	3 745
8	6 537	2 257	4 280
9	7 162	2 347	4 815
10	7 787	2 437	5 350
11	8 412	2 527	5 885
12	9 037	2 617	6 420
13	9 662	2 707	6 955
14	10 287	2 797	7 490
15	10 912	2 887	8 025
16	11 537	2 977	8 560
17	12 162	3 067	9 095
18	12 787	3 157	9 630
19	13 412	3 247	10 165
20	14 037	3 337	10 700
21	14 662	3 427	11 235
22	15 287	3 517	11 770
23	15 912	3 607	12 305
24	16 537	3 697	12 840
25	17 162	3 787	13 375
26	17 787	3 877	13 910
27	18 412	3 967	14 445
28	19 037	4 057	14 980
29	19 662	4 147	15 515
30	20 287	4 237	16 050
31	20 912	4 327	16 585
32	21 537	4 417	17 120
33	22 162	4 507	17 655
34	22 787	4 597	18 190
35	23 412	4 687	18 725
36	24 037	4 777	19 260
37	24 662	4 867	19 795
38	25 287	4 957	20 330
39	25 912	5 047	20 865
40	26 537	5 137	21 400

