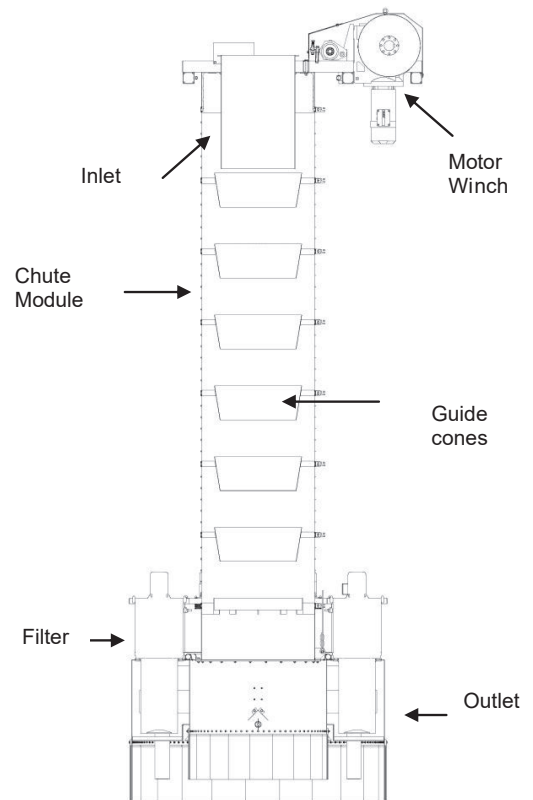
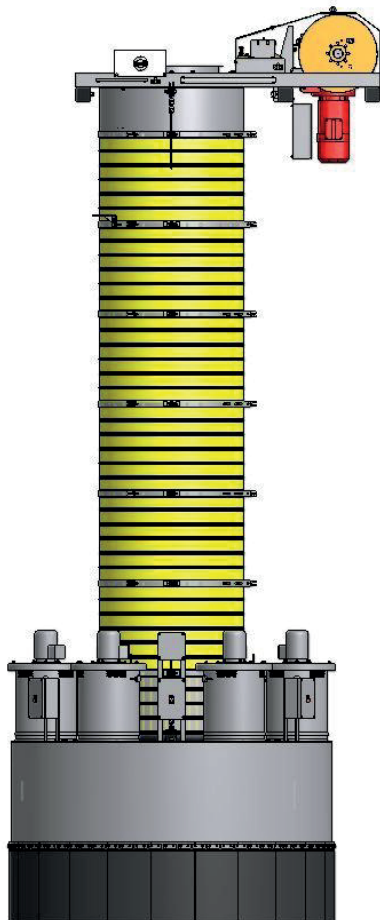


MODUFLEX LOADING CHUTE V650FF



Technical Information – V650FF	
Inlet	Cylindrical Inlet tube in 4/6 mm steel. With Ø650mm connection with flange.
Chute Modules	Type Y - Standard: Yellow. PVC/Polyester. Ø=1000mm/H=625mm. Temperature -35°C - +70°C Type R - High temperature: Red. Polyester and fiber/silicone rubber. Ø600/H=300mm. Temp. -40°C - +150°C (peak +220°C) Type B - Heavy Duty: Black. Synthetic rubber. Ø=1000mm/H=625mm. Temperature -20°C - +130°C Type Z - Low temperature: Green. PVC/PU. Ø1000mm/H=625mm. Temperature -60°C - +70°C. Connection ring in stainless steel Aisi 304, c/w 3 off wire guides in nylon and fittings for relief wires.
Guide Cones	Type J - Steel Standard. Steel, H=300mm, pt=2/4mm. Type L - Steel Overlapping. Steel, H=650mm, pt=2/4mm.
Outlet/Filter	Type FF – Flat Outlet with dust skirt for open loading. 6 off filter units mounted on outlet. Filter housing in AISI 304 c/w fan and regulation system. Each filter unit with built-in compressor, air receiver, solenoid valves etc. 7 m ² filter cartridge in each filter unit, type: CGT 351, total of 42 m ² .
Motor Winch	Brake motor 2.2 – 7,5kW, 1425 - 1460 rpm. Gear box ratio 1:124 – 1:143. Tight and slack wire indication on all 3 hoisting wires. External 3-point wire hoist system with high precision ball bearings and 3 off winch discs vertically fitted. 2 off relief wires. Hoist/relief wires Ø8mm available in steel or stainless steel Aisi316. Wire rollers in steel or stainless steel with high precision ball bearings.
General info	Max. loading capacity approx. 1200 m ³ /hour. Metal parts available in steel st. 37, stainless steel Aisi 304 or steel Hardox 400. Other steel qualities on demand. Surface treatment St. 37: Iron phosphating, 80 micron coating RAL 9010 pure white. Surface treatment Aisi 304: Acid-washed without any further treatment Optional: Hot dip galvanized inlet/outlet and motor frame. Available with full approval and certificates for location in ATEX zone 22 (zone 20 inside the chute)

MODUFLEX LOADING CHUTE V650FF

V650FF			
Outlet type FF			
Cone	Steel		
M	L1	L2	L3
1	2834	2299	535
2	3459	2389	1070
3	4084	2479	1605
4	4709	2569	2140
5	5334	2659	2675
6	5959	2749	3210
7	6584	2839	3745
8	7209	2929	4280
9	7834	3019	4815
10	8459	3109	5350
11	9084	3199	5885
12	9709	3289	6420
13	10334	3379	6955
14	10959	3469	7490
15	11584	3559	8025
16	12209	3649	8560
17	12834	3739	9095
18	13459	3829	9630
19	14084	3919	10165
20	14709	4009	10700
21	15334	4099	11235
22	15959	4189	11770
23	16584	4279	12305
24	17209	4369	12840
25	17834	4459	13375
26	18459	4549	13910
27	19084	4639	14445
28	19709	4729	14980
29	20334	4819	15515
30	20959	4909	16050
31	21584	4999	16585
32	22209	5089	17120
33	22834	5179	17655
34	23459	5269	18190
35	24084	5359	18725
36	24709	5449	19260
37	25334	5539	19795
38	25959	5629	20330
39	26584	5719	20865
40	27209	5809	21400

