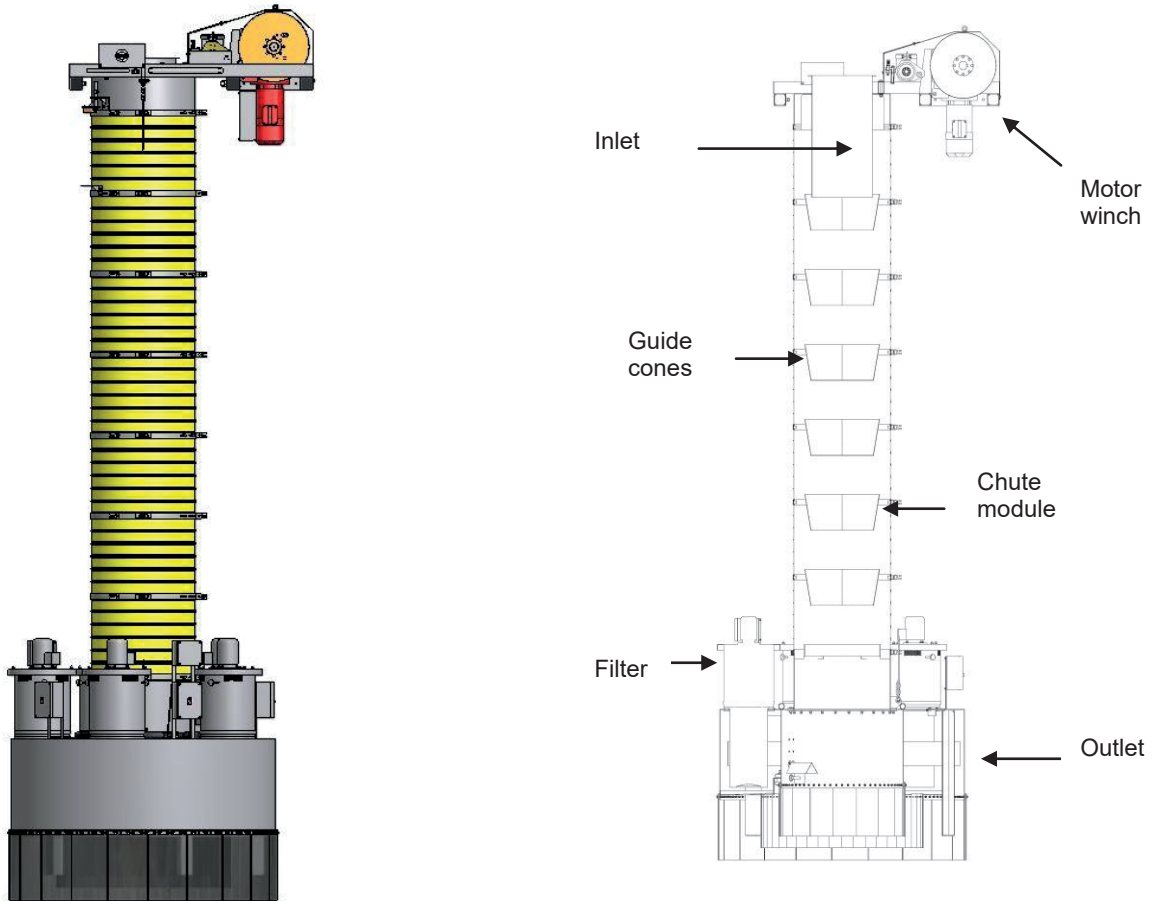


MODUFLEX LOADING CHUTE V500FF



Technical Information – V500FF	
Inlet	Cylindrical Inlet tube in 2/4 mm steel. With Ø500 connection with flange.
Chute Modules	Type Y - Standard: Yellow. PVC/Polyester. Ø=800mm/H=625mm. Temperature -35°C - +70°C Type B - Heavy Duty: Black. Synthetic rubber. Ø=800mm/H=625mm. Temperature -40°C - +130°C Type R - High temperature: Red. Polyester and fiber/silicone rubber. Ø800/H=625mm. Temp. -40°C - +150°C (peak +220°C) Type Z - Low temperature: Green. PVC/PU. Ø800mm/H=625mm. Temperature -60° C - +70° C. Connection ring in stainless steel Aisi 304, c/w 3 off wire guides in nylon and fittings for relief wires.
Guide Cones	Type J - Steel Standard. Steel, H=300mm, pt=2/4mm. Type L - Steel Overlapping. Steel, H=650mm, pt=2/4mm.
Outlet/Filter	Type FF – Flat Outlet with dust skirt for open loading. 5 off filter units mounted on outlet. Filter housing in AISI 304 c/w fan and regulation system. Each filter unit with built-in compressor, air receiver, solenoid valves etc. 7 m ² filter cartridge in each filter unit, type: CGT 351, total of 35 m ² .
Motor Winch	Brake motor 2.2-5.5 kW, 1425rpm. Gear box ratio 1:124 – 1:143. Tight and slack wire indication on all 3 hoisting wires. External 3-point wire hoist system with high precision ball bearings and 3 off winch discs vertically fitted. 2 off relief wires. Hoist/relief wires Ø8mm available in steel or stainless steel Aisi316. Wire rollers in steel or stainless steel with high precision ball bearings.
General info	Max. loading capacity approx. 700 m ³ /hour. Metal parts available in steel st. 37, stainless steel Aisi 304 or steel Hardox 400. Other steel qualities on demand. Surface treatment St. 37: Iron phosphating, 80 micron coating RAL 9010 pure white. Surface treatment Aisi 304: Acid-washed without any further treatment Optional: Hot dip galvanized inlet/outlet and motor frame. Available with full approval and certificates for location in ATEX zone 22 (zone 20 inside the chute)

MODUFLEX LOADING CHUTE V500FF

V500FF			
Outlet type FF			
Cone	Steel		
M	L1	L2	L3
1	2782	2247	535
2	3407	2337	1070
3	4032	2427	1605
4	4657	2517	2140
5	5282	2607	2675
6	5907	2697	3210
7	6532	2787	3745
8	7157	2877	4280
9	7782	2967	4815
10	8407	3057	5350
11	9032	3147	5885
12	9657	3237	6420
13	10282	3327	6955
14	10907	3417	7490
15	11532	3507	8025
16	12157	3597	8560
17	12782	3687	9095
18	13407	3777	9630
19	14032	3867	10165
20	14657	3957	10700
21	15282	4047	11235
22	15907	4137	11770
23	16532	4227	12305
24	17157	4317	12840
25	17782	4407	13375
26	18407	4497	13910
27	19032	4587	14445
28	19657	4677	14980
29	20282	4767	15515
30	20907	4857	16050
31	21532	4947	16585
32	22157	5037	17120
33	22782	5127	17655
34	23407	5217	18190
35	24032	5307	18725
36	24657	5397	19260
37	25282	5487	19795
38	25907	5577	20330
39	26532	5667	20865
40	27157	5757	21400

