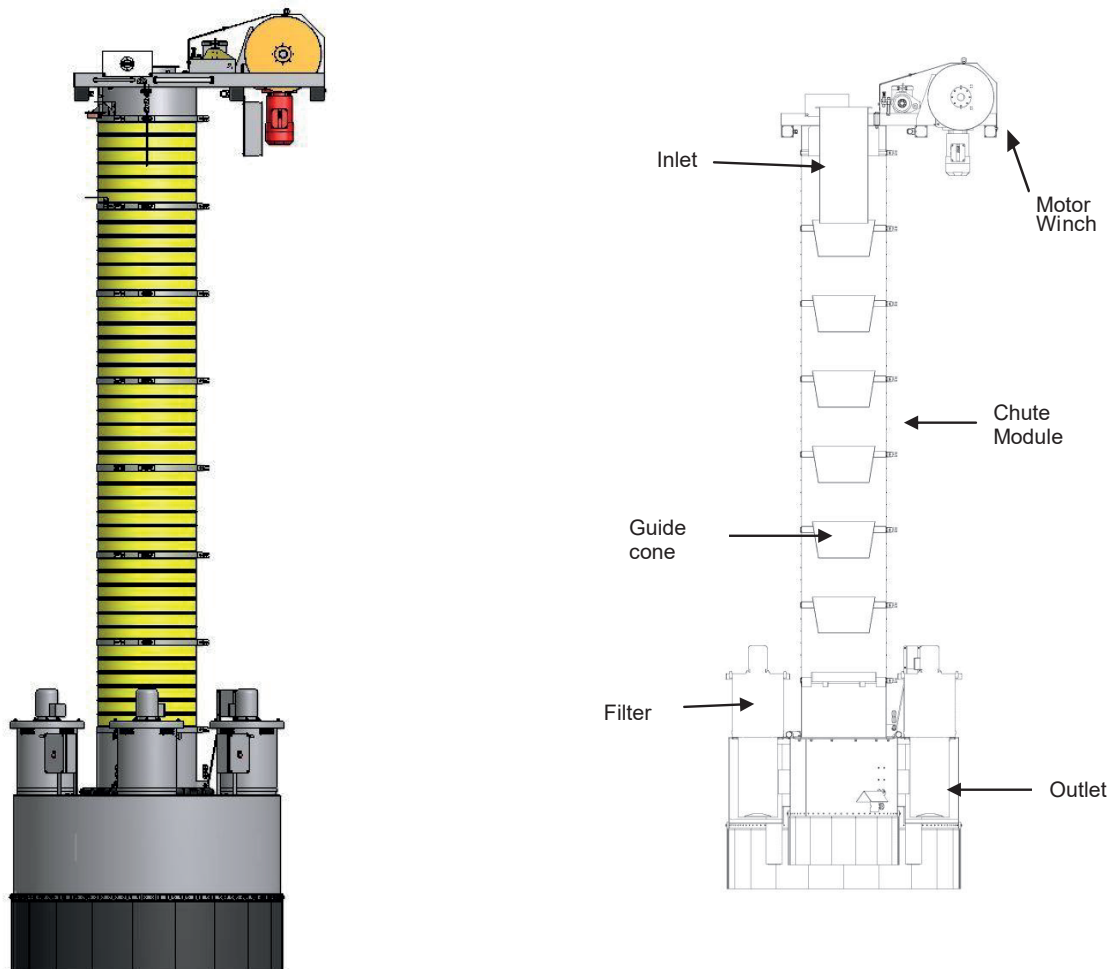


MODUFLEX LOADING CHUTE V400FF



Technical Information – V400FF	
Inlet	Cylindrical Inlet tube in 2/4 mm steel. With Ø400mm connection with flange.
Chute Modules	Type Y - Standard: Yellow. PVC/Polyester. Ø=700mm/H=625mm. Temperature -35°C - +70°C Type B - Heavy Duty: Black. Synthetic rubber Ø=700mm/H=625mm. Temperature -40°C - +130°C Type R - High temperature: Red. Polyester and fiber/silicone rubber. Ø700/H=625mm. Temp. -40°C - +150°C (peak +220°C) Type Z - Low temperature: Green. PVC/PU. Ø700mm/H=625mm. Temperature -60° C - +70° C. Connection ring in stainless steel Aisi 304, c/w 3 off wire guides in nylon and fittings for relief wires.
Guide Cones	Type J - Steel Standard. Steel, H=300mm, pt=2/4mm. Type L - Steel Overlapping. Steel, H=650mm, pt=2/4mm.
Outlet/Filter	Type FF - FlatOutlet with dust skirt for open loading. 4 off filter units mounted on outlet. Filter housing in AISI 304 c/w fan and regulation system. Each filter unit with built-in compressor, air receiver, solenoid valves etc. 7 m ² filter cartridge in each filter unit, type: CGT 351, total of 28 m ² .
Motor Winch	Brake motor 2.2-5.5 kW, 1425 rpm. Gear box ratio 1:124 – 1:143. Tight and slack wire indication on all 3 hoisting wires. External 3-point wire hoist system with high precision ball bearings and 3 off winch discs vertically fitted. 2 off relief wires. Hoist/relief wires Ø8mm available in steel or stainless steel Aisi316. Wire rollers in steel or stainless steel with high precision ball bearings.
General info	Max. loading capacity approx. 440 m ³ /hour. Metal parts available in steel st. 37, stainless steel Aisi 304 or steel Hardox 400. Other steel qualities on demand. Surface treatment St. 37: Iron phosphating, 80 micron coating RAL 9010 pure white. Surface treatment Aisi 304: Acid-washed without any further treatment Optional: Hot dip galvanized inlet/outlet and motor frame. Available with full approval and certificates for location in ATEX zone 22 (zone 20 inside the chute)

MODUFLEX LOADING CHUTE V400FF

V400FF			
Outlet type FF			
Cone	Steel		
M	L1	L2	L3
1	2729	2194	535
2	3354	2284	1070
3	3979	2374	1605
4	4604	2464	2140
5	5229	2554	2675
6	5854	2644	3210
7	6479	2734	3745
8	7104	2824	4280
9	7729	2914	4815
10	8354	3004	5350
11	8979	3094	5885
12	9604	3184	6420
13	10229	3274	6955
14	10854	3364	7490
15	11479	3454	8025
16	12104	3544	8560
17	12729	3634	9095
18	13354	3724	9630
19	13979	3814	10165
20	14604	3904	10700
21	15229	3994	11235
22	15854	4084	11770
23	16479	4174	12305
24	17104	4264	12840
25	17729	4354	13375
26	18354	4444	13910
27	18979	4534	14445
28	19604	4624	14980
29	20229	4714	15515
30	20854	4804	16050
31	21479	4894	16585
32	22104	4984	17120
33	22729	5074	17655
34	23354	5164	18190
35	23979	5254	18725
36	24604	5344	19260
37	25229	5434	19795
38	25854	5524	20330
39	26479	5614	20865
40	27104	5704	21400

