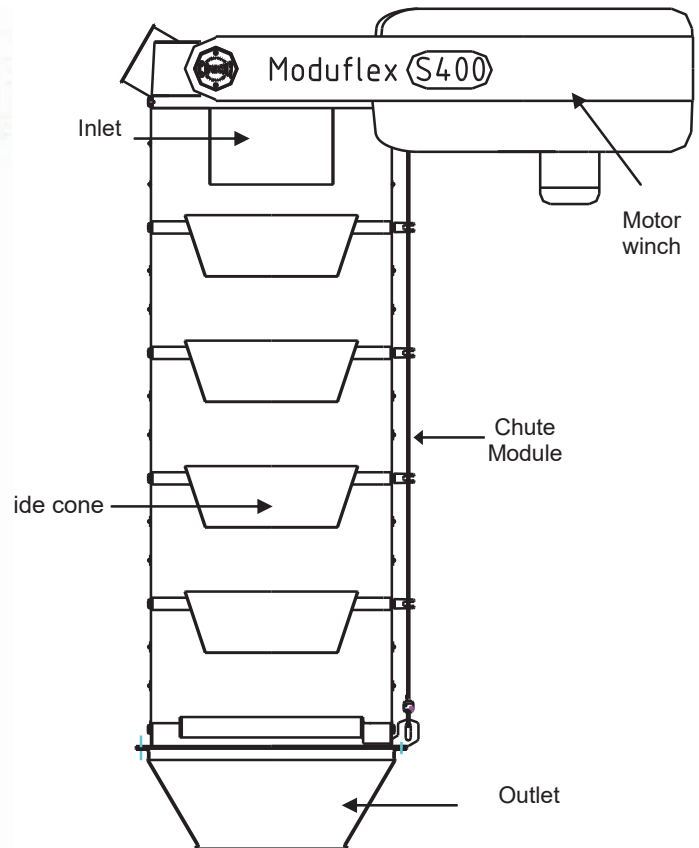


MODUFLEX LOADING CHUTE S400



Technical Information – S400	
Inlet	Cylindrical Inlet tube in 2 mm steel. Fitting Ø400 PN10 flange (DIN 2576B). Mounted with 16 off M24 bolts. Exhaust connection Ø150, optionally with automatic closing function.
Chute Modules	Type Y - Standard: Yellow. PVC/Polyester. Ø700mm/H=300mm. Temperature -35°C - +70°C Type M - Food Grade: Light Grey. PVC/Polyester. Ø700mm/H=300mm. Temperature -30°C - +70°C Type W - Special: Misc. PVC/Polyester. Ø700mm/H=300mm. Temperature -35°C - +70°C Type B - Heavy Duty: Black. Synthetic rubber. Ø700mm/H=300mm. Temperature -40°C - +130°C Type G - Extreme Temperature: Grey. Teflon/Fiber glass. Ø700mm/H=300mm. Temperature -35°C - +260°C Type R - High temperature: Red. Polyester and fiber/silicone rubber. Ø700/H300mm. Temp. -40°C - +150°C (peak +220°C) Type Z - Low temperature: Green. PVC/PU. Ø700mm/H=300mm. Temperature -60° C - +70° C Connection ring in stainless steel Aisi 304, c/w 3 off wire guides in nylon.
Guide Cones	Type O - Support ring. Steel, H=30mm Type J - Steel Standard. Steel, H=150mm, pt=2mm.
Outlet	Type T - Tank Outlet with steel cone for loading in tanker truck. Type F - Flat Outlet with dust skirt for loading in open truck. Type M - Multi Outlet with steel cone and dust skirt for loading in tanker truck and open truck.
Motor Winch	Motor 0.55-2.2 kW, 1400 rpm. Gear box ratio 100:1. Tight and slack wire indication External 3-point wire hoist system with high precision ball bearings and 3 off winch discs vertically fitted. Hoist wires Ø5mm available in steel, stainless steel Aisi316 or Long Life steel quality. Self-lubricating wire rollers in Ertalite TX, alternatively steel/stainless steel with bronze bearing
General info	Max. loading capacity approx. 440 m ³ /hour. Recommended connecting value for aspiration 1200 m ³ /hour 100 Pa. Metal parts available in painted steel st. 37 or stainless steel Aisi 304. Other steel qualities on demand. Surface treatment St. 37: Iron phosphating, 80 micron coating RAL 9010 pure white. Surface treatment Aisi 304: Acid-washed without any further treatment Motor winch covers in ABS - RAL 6005 dark green Available with full approval and certificates for location in ATEX zone 21 and 22 (zone 20 inside the chute)

Accessories for Loading Chute S400 please see separate Data Sheets.

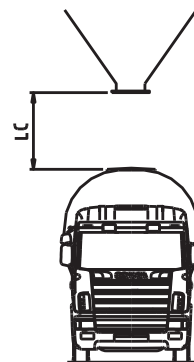
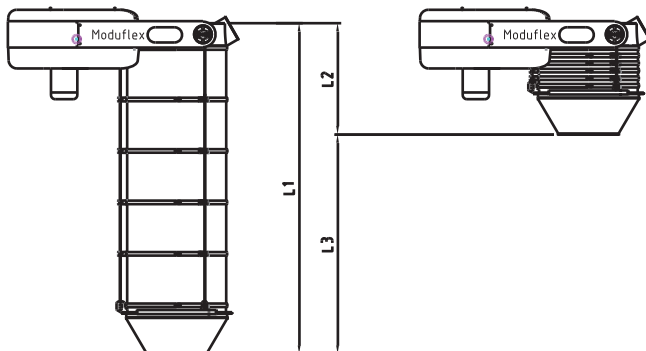
MODUFLEX LOADING CHUTE S400

S400									
	Outlet type TS			Outlet type FS			Outlet type MS		
Cone	Steel			Steel			Steel		
M	L1	L2	L3	L1	L2	L3	L1	L2	L3
1	748	486	262	762	500	262			
2	1055	531	524	1069	545	524			
3	1362	576	786	1376	590	786			
4	1669	621	1048	1683	635	1048			
5	1976	666	1310	1990	680	1310			
6	2283	711	1572	2297	725	1572	2582	1010	1572
7	2590	756	1834	2604	770	1834	2889	1055	1834
8	2897	801	2096	2911	815	2096	3196	1100	2096
9	3204	846	2358	3218	860	2358	3503	1145	2358
10	3511	891	2620	3525	905	2620	3810	1190	2620
11	3818	936	2882	3832	950	2882	4117	1235	2882
12	4125	981	3144	4139	995	3144	4424	1280	3144
13	4432	1026	3406	4446	1040	3406	4731	1325	3406
14	4739	1071	3668	4753	1085	3668	5038	1370	3668
15	5046	1116	3930	5060	1130	3930	5345	1415	3930
16	5353	1161	4192	5367	1175	4192	5652	1460	4192
17	5660	1206	4454	5674	1220	4454	5959	1505	4454
18	5967	1251	4716	5981	1265	4716	6266	1550	4716
19	6274	1296	4978	6288	1310	4978	6573	1595	4978
20	6581	1341	5240	6595	1355	5240	6880	1640	5240
21	6888	1386	5502	6902	1400	5502	7187	1685	5502
22	7195	1431	5764	7209	1445	5764	7494	1730	5764
23	7502	1476	6026	7516	1490	6026	7801	1775	6026
24	7809	1521	6288	7823	1535	6288	8108	1820	6288
25	8116	1566	6550	8130	1580	6550	8415	1865	6550

S400 + FlexClose + indicator							
Rotating+ capacitive indicator					Vibrationrod		
M	LC	L1	L2	L3	L1	L2	L3
2	1149	1619	1100	519	1689	1170	519
3	1456	1926	1145	781	1996	1215	781
4	1763	2233	1190	1043	2303	1260	1043
5	2070	2540	1235	1305	2610	1305	1305
6	2377	2847	1280	1567	2917	1350	1567
7	2684	3154	1325	1829	3224	1395	1829
8	2991	3461	1370	2091	3531	1440	2091
9	3298	3768	1415	2353	3838	1485	2353
10	3605	4075	1460	2615	4145	1530	2615

S400 with FlexClose no indicator				
M	LC	L1	L2	L3
2	1149	1459	940	519
3	1456	1766	985	781
4	1763	2073	1030	1043
5	2070	2380	1075	1305
6	2377	2687	1120	1567
7	2684	2994	1165	1829
8	2991	3301	1210	2091
9	3298	3608	1255	2353
10	3605	3915	1300	2615

S400 with Flexfill				
M	LC	L1	L2	L3
3	1737	2056	1270	786
4	2044	2363	1315	1048
5	2351	2670	1360	1310
6	2658	2977	1405	1572
7	2965	3284	1450	1834
8	3272	3591	1495	2096
9	3579	3898	1540	2358
10	3886	4205	1585	2620



LC measure to be used when the loading chute is fitted with FlexClose or FlexFill.