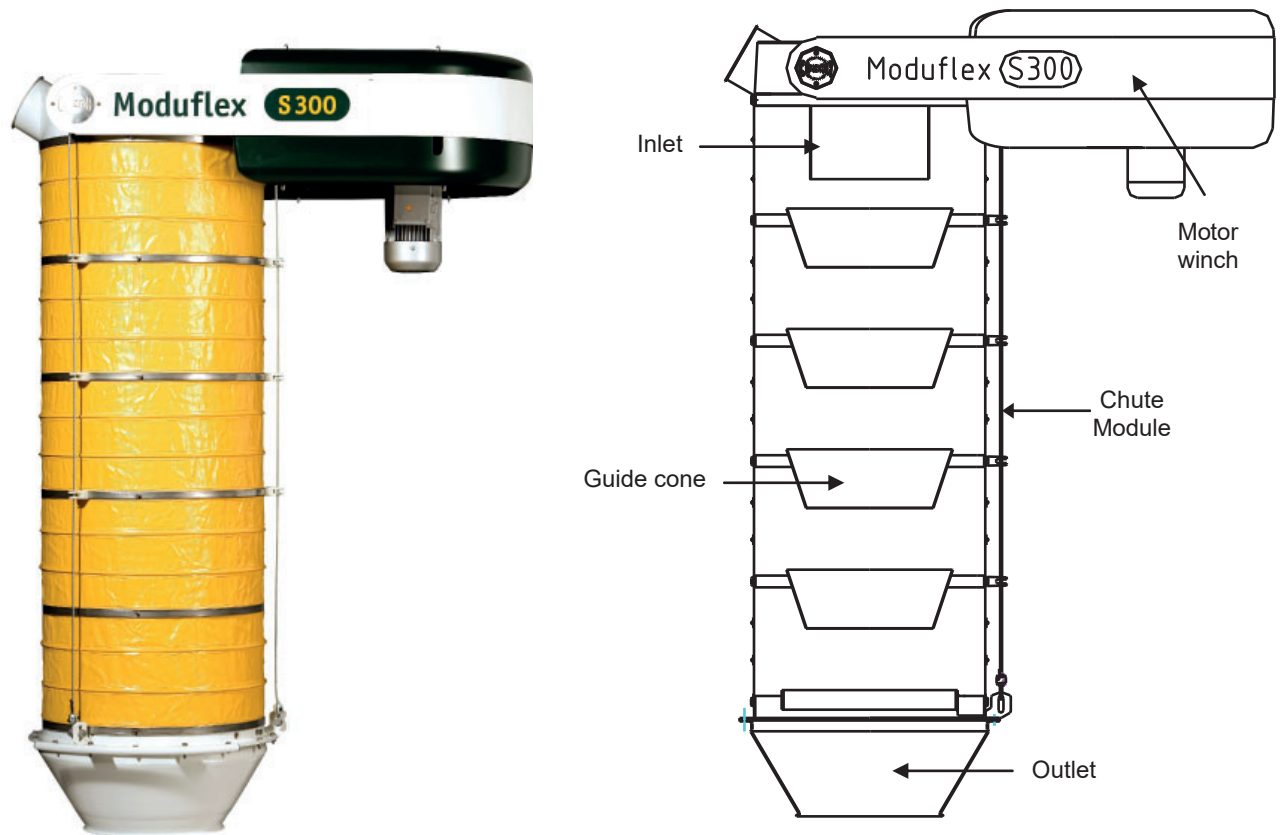


MODUFLEX LOADING CHUTE S300

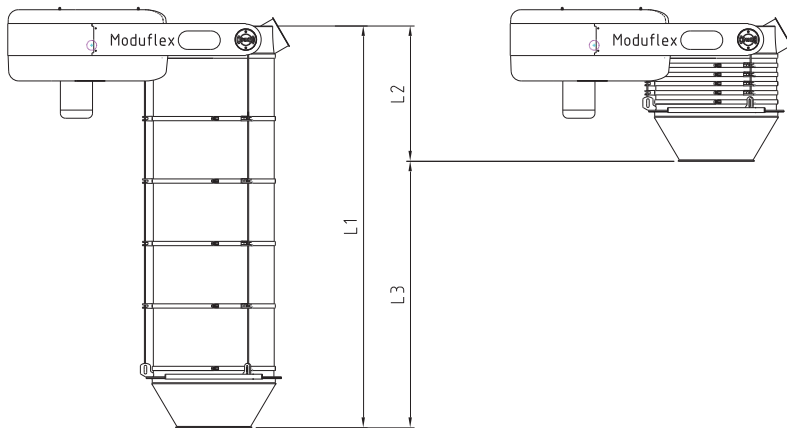


Technical information - S300	
Inlet	Cylindrical Inlet tube in 2 mm steel. Fitting Ø300 PN10 flange (DIN 2576B). Mounted with 12 off M20 bolts. Exhaust connection Ø150, optionally with automatic closing function.
Chute Modules	Type Y - Standard: Yellow. PVC/Polyester. Ø600mm/H=300mm. Temperature -35°C - +70°C Type M - Food Grade: Light Grey. PVC/Polyester. Ø600mm/H=300mm. Temperature -30°C - +70°C Type W - Special: Misc. PVC/Polyester. Ø600mm/H=300mm. Temperature -35°C - +70°C Type B - Heavy Duty: Black. Synthetic rubber. Ø600mm/H=300mm. Temperature -40°C - +130°C Type G - Extreme temperature: Grey. Teflon/Fiber glass. Ø600mm/H=300mm. Temperature -35°C - +260°C Type R - High temperature: Red. Polyester and fiber/silicone rubber. Ø600/H300mm. Temp. -40°C - +150°C (peak +220°C) Type Z - Low temperature: Green. PVC/PU. Ø600mm/H300mm. Temperature -60° C - +70° C Connection ring in stainless steel Aisi 304, c/w 3 off wire guides in nylon.
Guide Cones	Type O - Support ring. Steel, H=30mm Type U - Ultramid. Polyamide 6.6. H=150mm, pt=6mm. Type J - Steel Standard. Steel, H=150mm, pt=2mm.
Outlet	Type T - Tank Outlet with steel cone for loading in tanker truck. Type F - Flat Outlet with dust skirt for loading in open truck. Type M - Multi Outlet with steel cone and dust skirt for loading in tanker truck and open truck.
Motor Winch	Motor 0.55 -2.2 kW, 1400 rpm. Gear box ratio 100:1. Tight and slack wire indication. External 3-point wire hoist system with high precision ball bearings and 3 off winch discs vertically fitted. Hoist wires Ø5mm available in steel, stainless steel Aisi316 or Long Life steel quality. Self-lubricating wire rollers in Ertalite TX, alternatively steel/stainless steel with bronze bearing
General info	Max. loading capacity approx. 250 m ³ /hour. Recommended connecting value for aspiration 1200 m ³ /hour 100 Pa. Metal parts available in painted steel st. 37 or stainless steel Aisi 304. Other steel qualities on demand. Surface treatment St. 37: Iron phosphating, 80 micron coating RAL 9010 pure white. Surface treatment Aisi 304: Acid-washed without any further treatment Motor winch covers in ABS - RAL 6005 dark green. Available with full approval and certificates for location in ATEX zone 21 and 22 (zone 20 inside the chute)

Accessories for Loading Chute S300 please see separate Data Sheets.

MODUFLEX LOADING CHUTE S300

S300																	
Cone	Outlet type TS						Outlet type FS						Outlet type MS				
	Ultramid			Steel/Support ring			Ultramid			Steel/Support ring			Ultramid			Steel/Support ring	
M	L1	L2	L3	L1	L2	L3	L1	L2	L3	L1	L2	L3	L1	L2	L3	L1	L2
1	747	485	262	747	485	262	762	500	262	762	500	262					
2	1054	521	533	1054	530	524	1069	536	533	1069	545	524					
3	1361	557	804	1361	575	786	1376	572	804	1376	590	786					
4	1668	593	1075	1668	620	1048	1683	608	1075	1683	635	1048					
5	1975	629	1346	1975	665	1310	1990	644	1346	1990	680	1310					
6	2282	665	1617	2282	710	1572	2297	680	1617	2297	725	1572	2582	965	1617	2582	1010
7	2589	701	1888	2589	755	1834	2604	716	1888	2604	770	1834	2889	1001	1888	2889	1055
8	2896	737	2159	2896	800	2096	2911	752	2159	2911	815	2096	3196	1037	2159	3196	1100
9	3203	773	2430	3203	845	2358	3218	788	2430	3218	860	2358	3503	1073	2430	3503	1145
10	3510	809	2701	3510	890	2620	3525	824	2701	3525	905	2620	3810	1109	2701	3810	1190
11	3817	845	2972	3817	935	2882	3832	860	2972	3832	950	2882	4117	1145	2972	4117	1235
12	4124	881	3243	4124	980	3144	4139	896	3243	4139	995	3144	4424	1181	3243	4424	1280
13	4431	917	3514	4431	1025	3406	4446	932	3514	4446	1040	3406	4731	1217	3514	4731	1325
14	4738	953	3785	4738	1070	3668	4753	968	3785	4753	1085	3668	5038	1253	3785	5038	1370
15	5045	989	4056	5045	1115	3930	5060	1004	4056	5060	1130	3930	5345	1289	4056	5345	1415
16	5352	1025	4327	5352	1160	4192	5367	1040	4327	5367	1175	4192	5652	1325	4327	5652	1460
17	5659	1061	4598	5659	1205	4454	5674	1076	4598	5674	1220	4454	5959	1361	4598	5959	1505
18	5966	1097	4869	5966	1250	4716	5981	1112	4869	5981	1265	4716	6266	1397	4869	6266	1550
19	6273	1133	5140	6273	1295	4978	6288	1148	5140	6288	1310	4978	6573	1433	5140	6573	1595
20	6580	1169	5411	6580	1340	5240	6595	1184	5411	6595	1355	5240	6880	1469	5411	6880	1640
21	6887	1205	5682	6887	1385	5502	6902	1220	5682	6902	1400	5502	7187	1505	5682	7187	1685
22	7194	1241	5953	7194	1430	5764	7209	1256	5953	7209	1445	5764	7494	1541	5953	7494	1730
23	7501	1277	6224	7501	1475	6026	7516	1292	6224	7516	1490	6026	7801	1577	6224	7801	1775
24	7808	1313	6495	7808	1520	6288	7823	1328	6495	7823	1535	6288	8108	1613	6495	8108	1820
25	8115	1349	6766	8115	1565	6550	8130	1364	6766	8130	1580	6550	8415	1649	6766	8415	1865
26	8422	1385	7037	8422	1610	6812	8437	1400	7037	8437	1625	6812	8722	1685	7037	8722	1910
27	8729	1421	7308	8729	1655	7074	8744	1436	7308	8744	1670	7074	9029	1721	7308	9029	1955
28	9036	1457	7579	9036	1700	7336	9051	1472	7579	9051	1715	7336	9336	1757	7579	9336	2000
29	9343	1493	7850	9343	1745	7598	9358	1508	7850	9358	1760	7598	9643	1793	7850	9643	2045
30	9650	1529	8121	9650	1790	7860	9665	1544	8121	9665	1805	7860	9950	1829	8121	9950	2090
31	9957	1565	8392	9957	1835	8122	9972	1580	8392	9972	1850	8122	10257	1865	8392	10257	2135
32	10264	1601	8663	10264	1880	8384	10279	1616	8663	10279	1895	8384	10564	1901	8663	10564	2180
33	10571	1637	8934	10571	1925	8646	10586	1652	8934	10586	1940	8646	10871	1937	8934	10871	2225
34	10878	1673	9205	10878	1970	8908	10893	1688	9205	10893	1985	8908	11178	1973	9205	11178	2270
35	11185	1709	9476	11185	2015	9170	11200	1724	9476	11200	2030	9170	11485	2009	9476	11485	2315



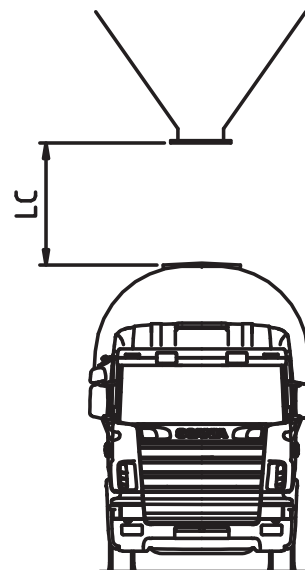
MODUFLEX LOADING CHUTE S300

S300 with FlexClose no indicator							
Cone		Ultramid			Steel/support ring		
Indicator		None			None		
M	LC	L1	L2	L3	L1	L2	L3
2	1138	1408	880	528	1408	889	519
3	1445	1715	916	799	1715	934	781
4	1752	2022	952	1070	2022	979	1043
5	2059	2329	988	1341	2329	1024	1305
6	2366	2636	1024	1612	2636	1069	1567
7	2673	2943	1060	1883	2943	1114	1829
8	2980	3250	1096	2154	3250	1159	2091
9	3287	3557	1132	2425	3557	1204	2353
10	3594	3864	1168	2696	3864	1249	2615

S300 with FlexClose and FlexSeal no indicator							
Cone		Ultramid			Steel/support ring		
Indicator		None			None		
M	LC	L1	L2	L3	L1	L2	L3
2	1138	1408	910	498	1408	919	489
3	1445	1715	946	769	1715	964	751
4	1752	2022	982	1040	2022	1009	1013
5	2059	2329	1018	1311	2329	1054	1275
6	2366	2636	1054	1582	2636	1099	1537
7	2673	2943	1090	1853	2943	1144	1799
8	2980	3250	1126	2124	3250	1189	2061
9	3287	3557	1162	2395	3557	1234	2323
10	3594	3864	1198	2666	3864	1279	2585

S300 with Flexclose - with/without FlexSeal + indicator													
Cone		Ultramid			Steel/support ring			Ultramid			Steel/support ring		
Indicator		Rotating/Capacitive			Rotating/Capacitive			Vibration rod			Vibration rod		
M	LC	L1	L2	L3	L1	L2	L3	L1	L2	L3	L1	L2	L3
2	1138	1568	1040	528	1568	1049	519	1638	1110	528	1638	1119	519
3	1445	1875	1076	799	1875	1094	781	1945	1146	799	1945	1164	781
4	1752	2182	1112	1070	2182	1139	1043	2252	1182	1070	2252	1209	1043
5	2059	2489	1148	1341	2489	1184	1305	2559	1218	1341	2559	1254	1305
6	2366	2796	1184	1612	2796	1229	1567	2866	1254	1612	2866	1299	1567
7	2673	3103	1220	1883	3103	1274	1829	3173	1290	1883	3173	1344	1829
8	2980	3410	1256	2154	3410	1319	2091	3480	1326	2154	3480	1389	2091
9	3287	3717	1292	2425	3717	1364	2353	3787	1362	2425	3787	1434	2353
10	3594	4024	1328	2696	4024	1409	2615	4094	1398	2696	4094	1479	2615

S300 with Flexfill							
Cone		Ultramid			Steel/support ring		
M	LC	L1	L2	L3	L1	L2	L3
3	1635	1939	1135	804	1939	1153	786
4	1942	2246	1171	1075	2246	1198	1048
5	2249	2553	1207	1346	2553	1243	1310
6	2556	2860	1243	1617	2860	1288	1572
7	2863	3167	1279	1888	3167	1333	1834
8	3170	3474	1315	2159	3474	1378	2096
9	3477	3781	1351	2430	3781	1423	2358
10	3784	4088	1387	2701	4088	1468	2620



LC measure to be used when the loading chute is fitted with FlexClose or FlexFill.