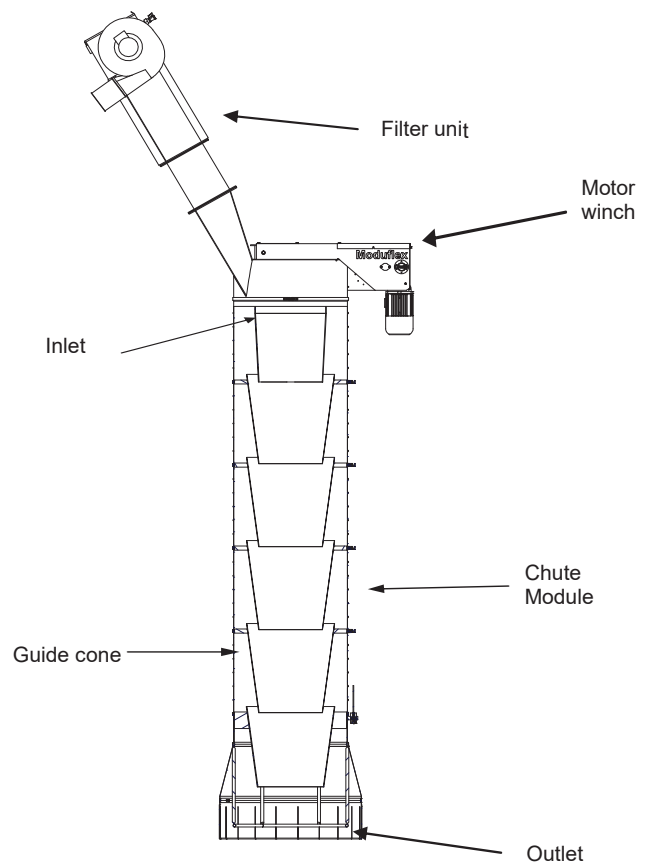


MODUFLEX LOADING CHUTE N500



Technical Information - N500	
Inlet	Cylindrical Inlet tube in 4 mm steel. With Ø500 connection flange. Sidemounted filter module with built-in cartridge filter, pressure tank, magnetic valves etc. 9 off filter cartridges, totals 9 m ² , alternatively 14m ² or 18m ² . Fan with 0.75 kW motor. Alternatively 1.5 kW mounted at site.
Chute Modules	Type E - Extended: Yellow. PVC/Polyester. Ø800 mm/H=600 mm. Temperature -35°C - +70°C Type M - Food Grade: Light Grey. PVC/Polyester. Ø800 mm/H=600 mm. Temperature -30°C - +70°C Type W - Special: Misc. PVC/Polyester. Ø800 mm/H=600 mm. Temperature -35°C - +70°C Type B - Heavy Duty: Black. Synthetic rubber. Ø800 mm/H=600 mm. Temperature -40°C - +130°C Type G - Extreme Temperature: Grey. Teflon/Fiber glass. Ø800 mm/H=600 mm. Temperature -35°C - +260°C Type R - High Temperature: Red. Polyester and fiber/silicone. Ø800 mm/H=600 mm. Temperature: -40°C- +150°C(peak + 220°C) Type Z - Low temperature: Green. PVC/PU. Ø800 mm/H=600 mm. Temperature -60°C - +70°C Connection ring in stainless steel Aisi 304, c/w 3 off wire guides in nylon.
Guide Cones	Type L - Steel Standard. Steel, H=650 mm, pt=2mm.
Outlet	Type F - Flat Outlet with dust skirt for loading in open truck.
Motor Winch	Motor 0.55-2.2 kW, 1400 rpm. Gear box ratio 100:1. Tight and slack wire indication External 3-point wire hoist system with high precision ball bearings and 3 off winch discs vertically fitted. Hoist wires Ø5 mm available in steel, stainless steel Aisi316 or Long Life steel quality. Self-lubricating wire rollers in Ertalite TX, alternatively steel/stainless steel with bronze bearing
General info	Max. loading capacity approx. 700 m ³ /hour. Compressed air supply, clean and dry for filter: Connection 5-6 bar. Filter cleaning air consumption 100-150 NL/min. Pressure air connection 1/2". Metal parts available in painted steel st. 37 or stainless steel Aisi 304. Other steel qualities on demand. Surface treatment St. 37: Iron phosphating, 80 micron coating RAL 9010 pure white. Surface treatment Aisi 304: Acid-washed without any further treatment. Motor winch cover in steel - RAL 6005 dark green. Cover on filter RAL 6005. Available with full approval and certificates for location in ATEX zone 21 and 22 (zone 20 inside the chute).

Accessories for loading chute N500 please see separate Data Sheets.

MODUFLEX LOADING CHUTE N500

N500			
Outlet type FH			
Cone	Steel		
M	L1	L2	L3
4	3725	1585	2140
5	4330	1655	2675
6	4935	1725	3210
7	5540	1795	3745
8	6145	1865	4280
9	6750	1935	4815
10	7355	2005	5350
11	7960	2075	5885
12	8565	2145	6420
13	9170	2215	6955
14	9775	2285	7490
15	10380	2355	8025
16	10985	2425	8560
17	11590	2495	9095

