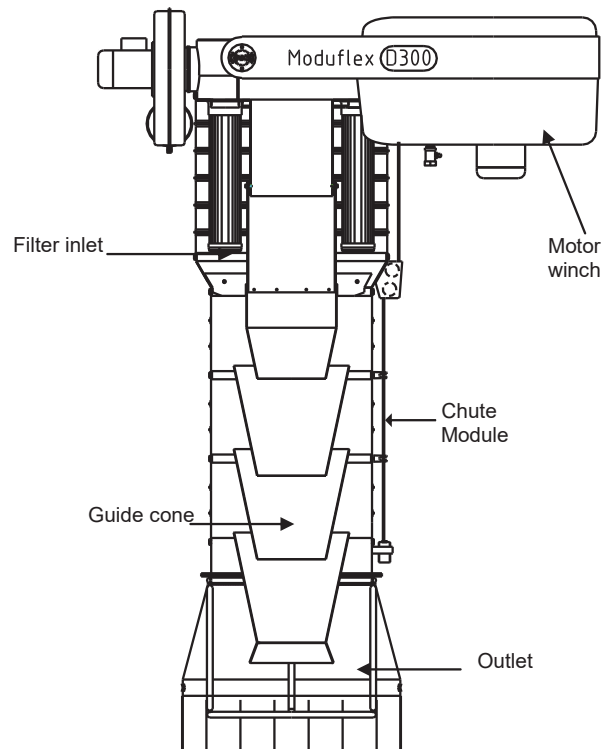


MODUFLEX LOADING CHUTE D300



Technical Information – D300	
Filter Inlet	Cylindrical/conical inlet tube in 2/4 mm steel. Fitting Ø300 PN10 flange (2576B). Mounted with 12 off M20 bolts. Filter module with built-in cartridge filter, pressure tank, magnetic valves etc. 9 off filter cartridges, totals 7 m ² c/w jubilee clip. Fan with 0,75kW motor and air regulator. Fan connection Ø160.
Chute Modules	Type Y - Standard: Yellow. PVC/Polyester. Ø600mm/H=300mm. Temperature -35°C - +70°C Type M - Food Grade: Light Grey. PVC/Polyester. Ø600mm/H=300mm. Temperature -30°C - +70°C Type W - Special: Misc. PVC/Polyester. Ø600mm/H=300mm. Temperature -35°C - +70°C Type B - Heavy Duty: Black. Synthetic rubber. Ø600mm/H=300mm. Temperature -40°C - +130°C Type G - Extreme Temperature: Grey. Teflon/Fiber glass. Ø600mm/H=300mm. Type R - High temperature: Red. Polyester and fiber/silicone rubber. Ø600/H=300mm. Temp. -40°C - +150°C (peak +220°C) Type Z - Low temperature: Green. PVC/PU. Ø600mm/H=300mm. Temperature -60°C - +70°C Connection ring in stainless steel Aisi 304, c/w 3 off wire guides in nylon.
Guide Cones	Type O - Support ring. Steel, H=30mm Type U - Ultramid. Polyamide 6.6. H=150mm, pt=6mm. Type J - Steel Standard. Steel, H=150mm, pt=2mm. Type L - Steel Overlapping, Steel, H=405mm, pt=2mm.
Outlet	Type T - Tank Outlet with steel cone for loading in tanker truck. Type F - Flat Outlet with dust skirt for loading in open truck. Type M - Multi Outlet with steel cone and dust skirt for loading in tanker truck and open truck.
Motor Winch	Motor 0.55-2.2 kW, 1400 rpm. Gear box ratio 100:1. Tight and slack wire indication External 3-point wire hoist system with high precision ball bearings and 3 off winch discs vertically fitted. Hoist wires Ø5mm available in steel, stainless steel Aisi316 or Long Life steel quality. Self-lubricating wire rollers in Ertalite TX, alternatively steel/stainless steel with bronze bearing
General info	Max. loading capacity approx. 250 m ³ /hour. Compressed air supply, filter: Connection 3-4 bar. Filter cleaning air consumption 70-280 NL/min. Metal parts available in painted steel st. 37 or stainless steel Aisi 304. Other steel qualities on demand. Surface treatment St. 37: Iron phosphating, 80 micron coating RAL 9010 pure white. Surface treatment Aisi 304: Acid-washed without any further treatment Motor winch covers in ABS - RAL 6005 dark green Available with full approval and certificates for location in ATEX zone 21 and 22 (zone 20 inside the chute)

Accessories for loading chute D300 please see separate Data Sheets.

MODUFLEX LOADING CHUTE D300

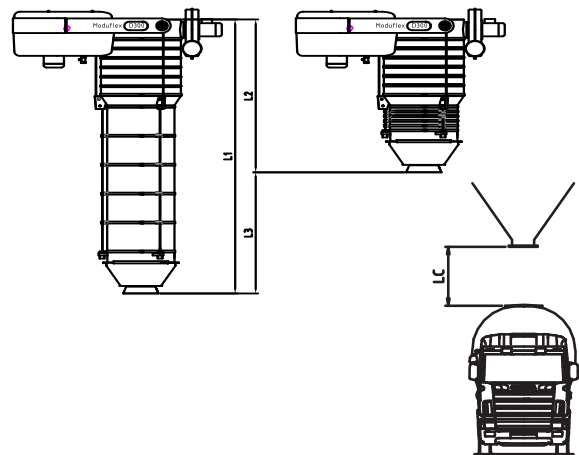
D300									
	Outlet type TH			Outlet type FH			Outlet type MH		
Cone	Overlapping steel			Overlapping steel			Overlapping steel		
M	L1	L2	L3	L1	L2	L3	L1	L2	L3
1	1679	1422	257	2000	1743	257	2000	1743	257
2	1986	1472	514	2307	1793	514	2307	1793	514
3	2293	1522	771	2614	1843	771	2614	1843	771
4	2600	1572	1028	2921	1893	1028	2921	1893	1028
5	2907	1622	1285	3228	1943	1285	3228	1943	1285
6	3214	1672	1542	3535	1993	1542	3535	1993	1542
7	3521	1722	1799	3842	2043	1799	3842	2043	1799
8	3828	1772	2056	4149	2093	2056	4149	2093	2056
9	4135	1822	2313	4456	2143	2313	4456	2143	2313
10	4442	1872	2570	4763	2193	2570	4763	2193	2570
11	4749	1922	2827	5070	2243	2827	5070	2243	2827
12	5056	1972	3084	5377	2293	3084	5377	2293	3084
13	5363	2022	3341	5684	2343	3341	5684	2343	3341
14	5670	2072	3598	5991	2393	3598	5991	2393	3598
15	5977	2122	3855	6298	2443	3855	6298	2443	3855
16	6284	2172	4112	6605	2493	4112	6605	2493	4112
17	6591	2222	4369	6912	2543	4369	6912	2543	4369
18	6898	2272	4626	7219	2593	4626	7219	2593	4626
19	7205	2322	4883	7526	2643	4883	7526	2643	4883
20	7512	2372	5140	7833	2693	5140	7833	2693	5140

D300 with FlexClose - no indicator					
Cone		Overlapping steel			
Indicator		None			
M	LC	L1	L2	L3	
1	1610	1880	1623	257	
2	1917	2187	1673	514	
3	2224	2494	1723	771	
4	2531	2801	1773	1028	
5	2838	3108	1823	1285	
6	3145	3415	1873	1542	
7	3452	3722	1923	1799	
8	3759	4029	1973	2056	
9	4066	4336	2023	2313	
10	4373	4643	2073	2570	

D300 with FlexClose and FlexSeal - no indicator					
Cone		Overlapping steel			
Indicator		None			
M	LC	L1	L2	L3	
1	1610	1880	1653	227	
2	1917	2187	1703	484	
3	2224	2494	1753	741	
4	2531	2801	1803	998	
5	2838	3108	1853	1255	
6	3145	3415	1903	1512	
7	3452	3722	1953	1769	
8	3759	4029	2003	2026	
9	4066	4336	2053	2283	
10	4373	4643	2103	2540	

D300 with FlexClose with/without FlexSeal - with indicator							
Cone		Overlapping steel			Overlapping steel		
Indicator		Rotating/Capacitive			Vibration rod		
M	LC	L1	L2	L3	L1	L2	L3
1	1610	2040	1783	257	2110	1853	257
2	1917	2347	1833	514	2417	1903	514
3	2224	2654	1883	771	2724	1953	771
4	2531	2961	1933	1028	3031	2003	1028
5	2838	3268	1983	1285	3338	2053	1285
6	3145	3575	2033	1542	3645	2103	1542
7	3452	3882	2083	1799	3952	2153	1799
8	3759	4189	2133	2056	4259	2203	2056
9	4066	4496	2183	2313	4566	2253	2313
10	4373	4803	2233	2570	4873	2303	2570

D300 with Flexfill				
Cone	Steel/support ring			
M	LC	L1	L2	L3
3	2721	3025	2191	834
4	3028	3332	2241	1091
5	3335	3639	2291	1348
6	3642	3946	2341	1605
7	3949	4253	2391	1862
8	4256	4560	2441	2119
9	4563	4867	2491	2376
10	4870	5174	2541	2633



LC measure to be used when the loading chute is fitted with FlexClose or FlexFill.