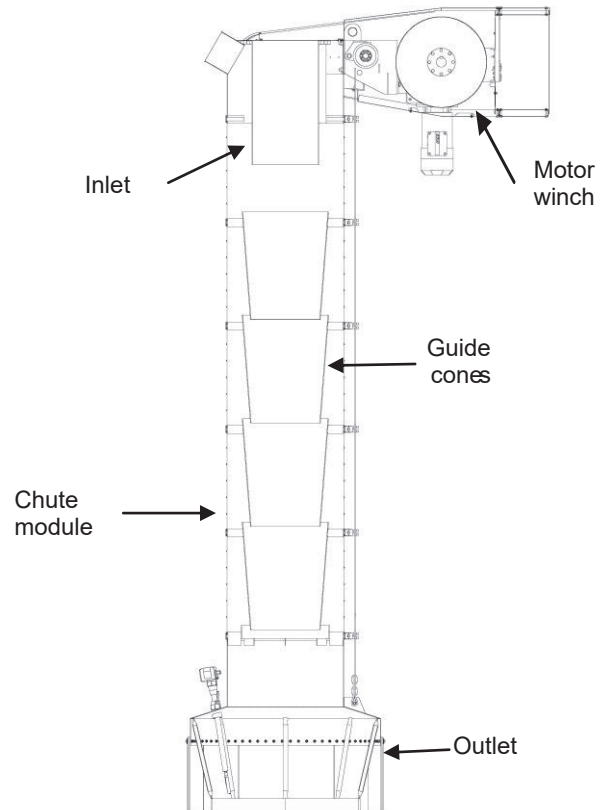
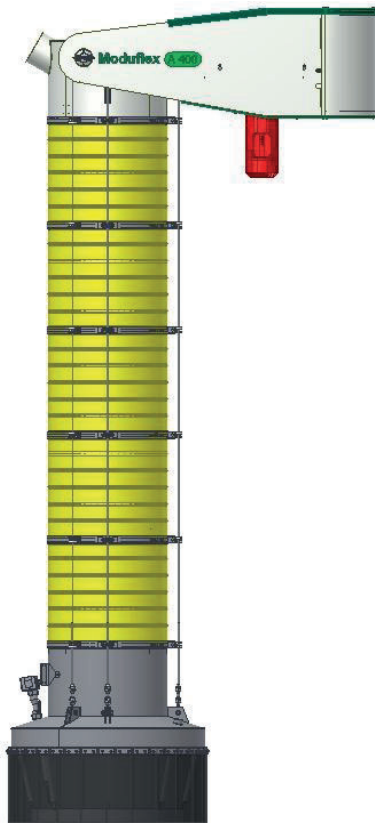


MODUFLEX LOADING CHUTE A400



Technical Information – A400	
Inlet	Cylindrical inlet in 3 mm steel. With DN400 connection with flange. 1 off exhaust connections Ø200
Chute modules	Type Y - Standard: Yellow. PVC/Polyester. Ø=700mm/H=625mm. Temperature -35°C - +70°C. Type B - Heavy Duty: Black. Synthetic rubber. Ø=700mm/H=625mm. Temperature -40°C - +130°C. Type R - High temperature: Red. Polyester and fiber/silicone rubber. Ø700/H625mm. Temp. -40°C - +150°C (peak +220°C). Type Z - Low temperature: Green. PVC/PU. Ø700mm/H=625mm. Temperature -60°C - +70°C. Connection ring in stainless steel AISI 304, c/w 3 off wire guides in nylon and fittings for relief wires.
Cones	Type J - Steel Standard. Steel, H=300mm, pt=2/4mm. Type L - Steel Overlapping. Steel, H=650mm, pt=2/4mm.
Outlet	Type F – Flat outlet with dust skirt for open loading. Type T for closed loading.
Motor Winch	Motor 2.2 - 4 kW, Gear box ratio 124-127:1, 1425-1460 rpm. Tight wire indication on 1 hoisting wire and slack wire indication on 3 hoisting wires. External 3-point wire hoist system with high precision ball bearings and 3 off winch discs vertically fitted. 2 off relief wires. Hoist/relief wires Ø8mm available in steel or stainless steel Aisi316. Wire rollers in steel or stainless steel with high precision ball bearings.
General info	Max. loading capacity approx. 440 m³/hour. Recommended connecting value for aspiration 2200m³/hour 100 Pa. Metal parts available in steel st. 37, stainless steel AISI 304 or Hardox 400. Other steel qualities on demand. Surface treatment st. 37/Hardox 400: Iron phosphating, 80 micron coating RAL 9010 pure white. Surface treatment AISI 304: Acid-washed without any further treatment. Optional: Hot dip galvanized inlet/outlet. Available with full approval and certificates for location in ATEX zone 22 (zone 20 inside the chute)

MODUFLEX LOADING CHUTE A400

A500			
Outlet type F			
Cone	Steel		
M	L1	L2	L3
1	2177	1642	535
2	2802	1732	1070
3	3427	1822	1605
4	4052	1912	2140
5	4677	2002	2675
6	5302	2092	3210
7	5927	2182	3745
8	6552	2272	4280
9	7177	2362	4815
10	7802	2452	5350
11	8427	2542	5885
12	9052	2632	6420
13	9677	2722	6955
14	10302	2812	7490
15	10927	2902	8025
16	11552	2992	8560
17	12177	3082	9095
18	12802	3172	9630
19	13427	3262	10165
20	14052	3352	10700
21	14677	3442	11235
22	15302	3532	11770
23	15927	3622	12305
24	16552	3712	12840
25	17177	3802	13375
26	17802	3892	13910
27	18427	3982	14445
28	19052	4072	14980
29	19677	4162	15515
30	20302	4252	16050
31	20927	4342	16585
32	21552	4432	17120
33	22177	4522	17655
34	22802	4612	18190
35	23427	4702	18725
36	24052	4792	19260
37	24677	4882	19795
38	25302	4972	20330
39	25927	5062	20865
40	26552	5152	21400

