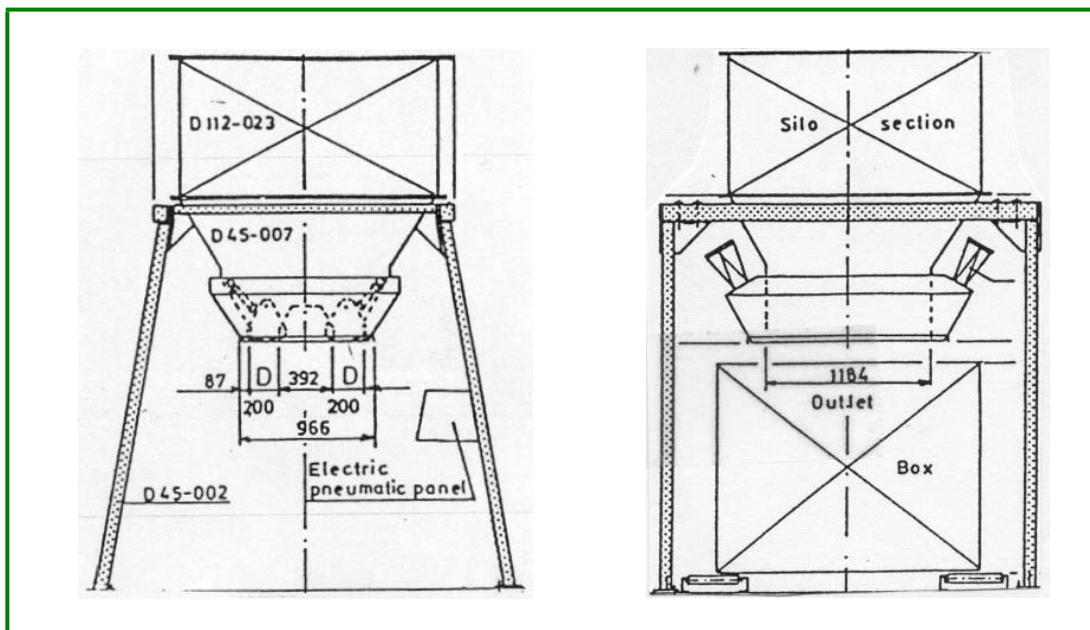


# Data Sheet 562.2

## Container Filling Unit Type 186



The Cimbría Container Filling Units type 186 series is widely used within the seed and grain industry for filling seed container of either steel or wooden construction.

The Container Filling Unit is constructed entirely in steel and consists of a sector gate section with aspiration connection.

The gate can be manually operated, pneumatic or motor operated. Above the Container Filling Unit there will be a buffer bin holding a required amount of seed.

### Technical Data of Container Filling Unit

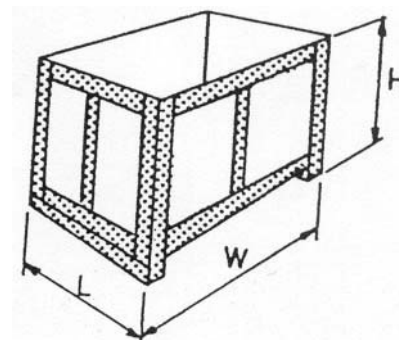
Type	Execution	Aspiration requirements
186.1	Manual operated	2 x 1200 m / hour
186.1	Motor operated	2 x 1200 m / hour
186.1	Pneumatic operated	2 x 1200 m / hour

### Container Boxes

Container boxes are also available in steel or wooden construction in the following sizes.

### Technical Data of Container Boxes

Type	L	W	H
A	1170/1320	1200	1450/1320
B	1170/1320	1550	1450/1320
C	1170/1320	1900	1450/1320
D	1200	2200	1220



Copyright © - The right to alterations is reserved