



# SUPER CYCLOFAN TYPE CF-615

## GENERAL

|             |  |
|-------------|--|
| Brand       | Cimbria  |
| Designation | Super Cyclofan   |
| Model       | CF-615   |
| Use         | Industry   |
| Application | Moving air within a duct in large-volume dust collection systems |



## FAN CATEGORY

|                               |  |
|-------------------------------|--|
| Casing construction           | Welded/bolted                                    |
| Drive arrangement             | Direct drive                                     |
| Inlet and outlet conditions   | Inlet and outlet openings directly by the casing |
| Method of fan Control         | Vane control (optional)                          |
| Outlet position               | Horizontal or upward discharge                   |
| Motor position                | Down-stream                                      |
| Overall length, no guide vane | 2 120 mm   |
| Overall length, with vane     | 2 360 mm   |
| Overall height                | 1 500 mm   |
| Overall width                 | 1 140 mm   |

## EFFICIENCY

|                      |                          |
|----------------------|--------------------------|
| Efficiency grade     | 40                       |
| Measurement category | C                        |
| Efficiency category  | Static                   |
| Efficiency*          | 16.6                     |
| Motor power input*   | 17.8 kW                  |
| Flow rate*           | 14 164 m <sup>3</sup> /h |
| Pressure             | 750 Pa                   |
| Efficiency**         | 18.7                     |
| Motor power input**  | 16.8 kW                  |
| Flow rate**          | 15 092 m <sup>3</sup> /h |
| Rotations per minute | 1 450 rpm                |
| Assumed drive type   | Fixed                    |
| Specific ratio       | 0.989                    |

\*\* At operating point -  $\rho = 1.135 \text{ kg/m}^3$

\* At operating point -  $\rho = 1.2 \text{ kg/m}^3$

Note: Efficiency calculated according to Commission Regulation (EU) 327/2011.

## WEIGHT

|                         |        |
|-------------------------|--------|
| Weight, no guide vane   | 387 kg |
| Weight, with guide vane | 425 kg |

## ELECTRICAL RATINGS

|                    |        |
|--------------------|--------|
| Motor output       | 11 kW  |
| Motor voltage      | 400 V  |
| Motor frequency    | 50 Hz  |
| Motor ampere       | 11.9 A |
| Motor power factor | 0.84   |
| Motor efficiency   | 92.2 % |

## NOISE

| Sound power level L <sub>w</sub> 90 dB(A) |        |        |        |          |          |          |          |
|---|--------|--------|--------|----------|----------|----------|----------|
| 63 Hz                                     | 125 Hz | 250 Hz | 500 Hz | 1 000 Hz | 2 000 Hz | 4 000 Hz | 8 000 Hz |
| 63  | 70     | 82     | 82.5   | 85.5     | 83.5     | 74.5     | 65.5     |

## COMPLIANCE

|                               |     |
|-------------------------------|-----|
| EU machinery legislation      | Yes |
| EU fan efficiency legislation | Yes |
| EU ATEX legislation           | No  |
| EU food contact legislation   | No  |

## ENVIRONMENTAL CONDITIONS

|             |                     |
|-------------|---------------------|
| Environment | Indoors or outdoors |
| Temperature | From -20°C to +40°C |
| Altitude    | Up to 1 000 m       |

## SURFACE PROTECTION

|        |                    |
|--------|--------------------|
| Casing | Galvanised/Painted |
|--------|--------------------|

## LIFETIME

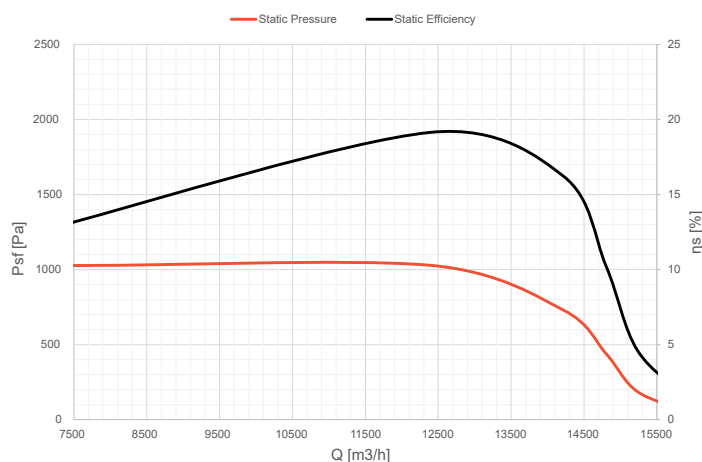
|                     |          |
|---------------------|----------|
| Intended life limit | 20 years |
|---------------------|----------|

## DUST SEPERATION

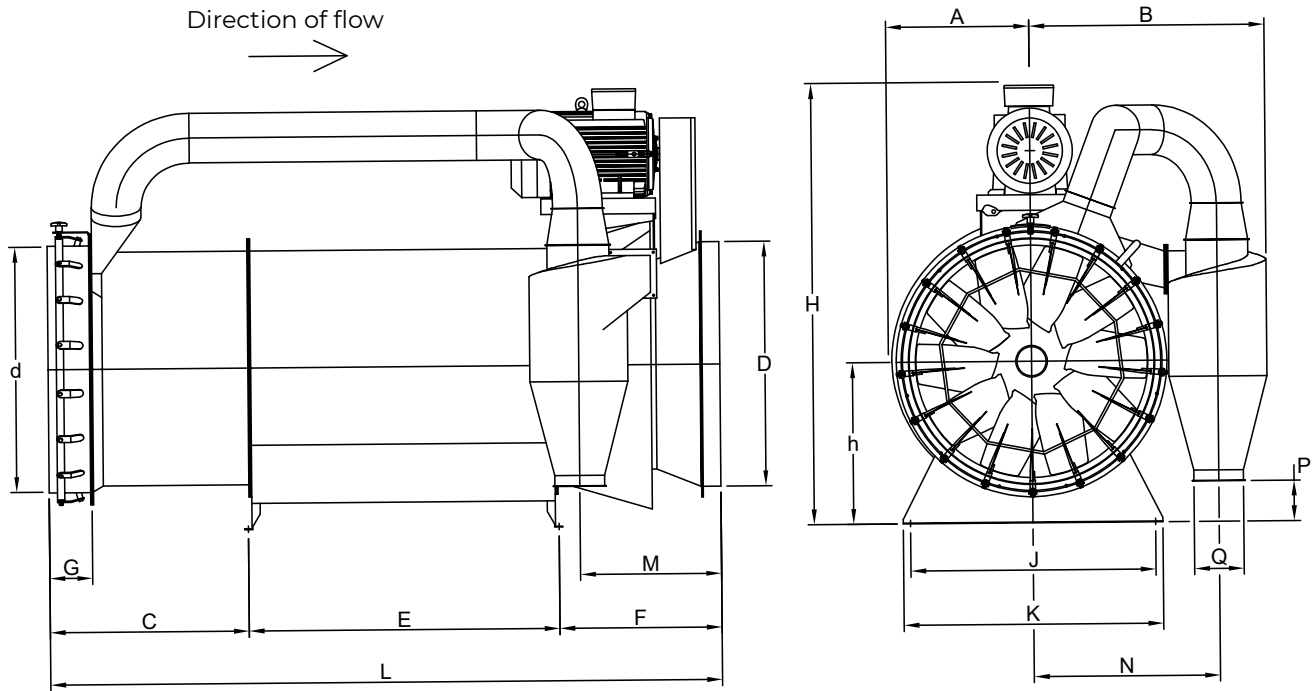
|                            |      |
|----------------------------|------|
| Dust separation efficiency | 92 % |
|----------------------------|------|

Note: Dust separation efficiency measured at 750Pa and dust concentration 100 mg/m<sup>3</sup>.

## PERFORMANCE



# SUPER CYCLOFAN TYPE CF-615



## TECHNICAL DIMENSIONS

| Fan   | A   | B   | C   | D    | d    | E     | F   | G   | H     | h   | J   | K   | L     | M   | N   | P   | Q    |
|-------|-----|-----|-----|------|------|-------|-----|-----|-------|-----|-----|-----|-------|-----|-----|-----|------|
| CF615 | 720 | 420 | 736 | Ø750 | Ø750 | 1 018 | 606 | 240 | 1 500 | 590 | 650 | 710 | 2 360 | 587 | 563 | -48 | Ø200 |