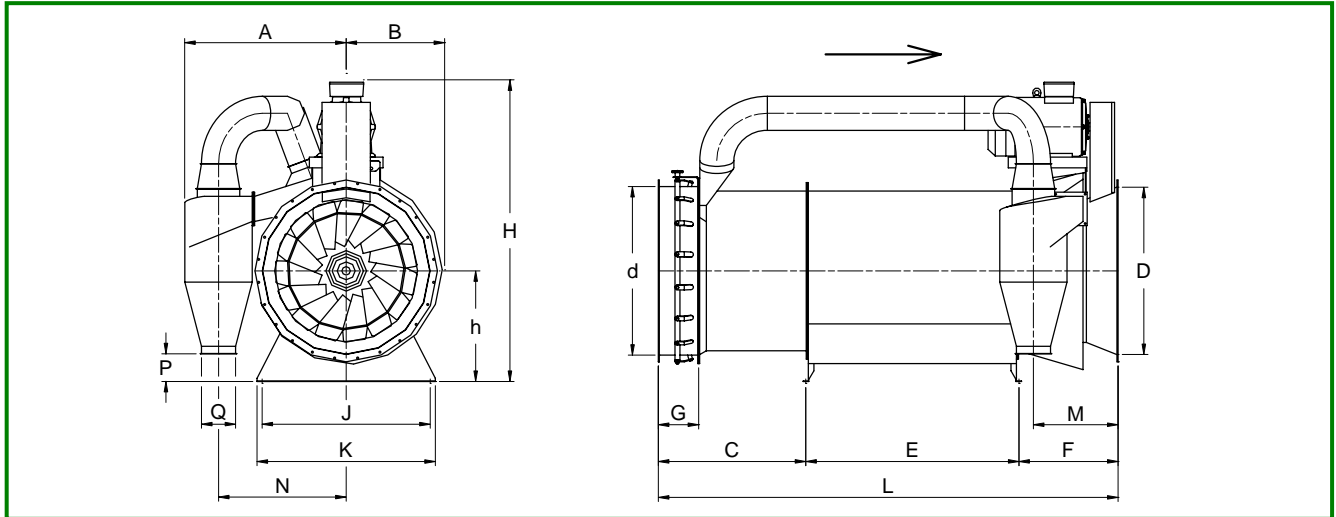


Data Sheet 74.1a

Super Cyclofan[®], Technical Data



Figure 1: Measurements



| | A | B | C | d | D | E | F | G | h | H | J | K | L | M | N | P | Q |
|--------|-----|-----|-----|-------|-------|------|-----|-----|-----|------|------|------|------|-----|-----|-----|------|
| CF-600 | 720 | 420 | 736 | ø750 | ø750 | 1018 | 606 | 240 | 590 | 1500 | 650 | 710 | 2360 | 587 | 563 | -48 | ø200 |
| CF-900 | 960 | 585 | 877 | ø1000 | ø1000 | 1268 | 589 | 240 | 660 | 1800 | 1000 | 1060 | 2734 | 503 | 759 | 165 | ø200 |

Assembly and Maintenance

The Super Cyclofan can be installed both horizontally and vertically, as the position has no effect to the degree of separation. Furthermore the Super Cyclofan is provided with grease nipples which makes it possible to grease the shaft bearings periodically or to connect the ventilator to a central greasing plant.

Capacity

The Super Cyclofan is made in two series, CF600 and CF900. Capacity curves are shown in figure 2.

Material

The Super Cyclofan is manufactured with a stainless steel cylinder. The rest of the Cyclofan is made of steel and painted in Cimbría standard colours.

Altitude above Sea Level

As other fans the capacity of the Super Cyclofan is also dependent on the pressure. Operation in altitudes above 500 meters will reduce the capacity of the Super Cyclofan. If this is the case, then please contact Cimbría Manufacturing for further information.

Figure 2: Capacity curves dependent on pressure

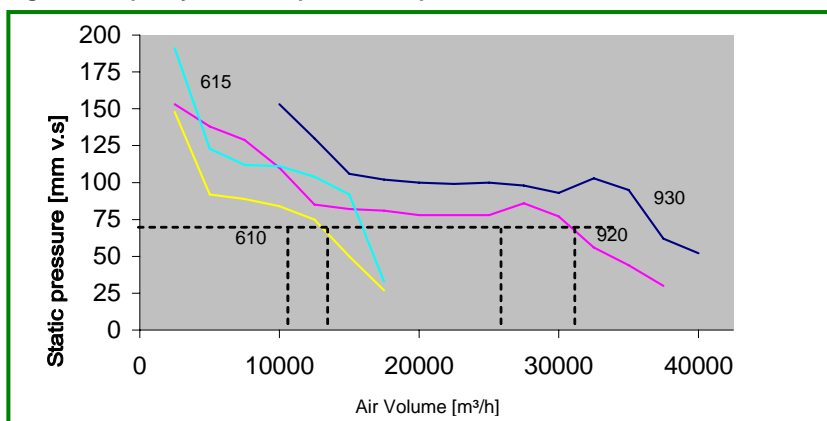


Table 1: Noise Level [dB(A)]

| Type | Frequency [Hz] | | | | | | | | |
|--------|----------------|-----|------|------|-------|------|------|------|-------|
| | 63 | 125 | 250 | 550 | 1 k | 2 k | 4 k | 8 k | Total |
| CF 610 | 67 | 71 | 82.5 | 84.5 | 86.2 | 83 | 73 | 62.3 | 89 |
| CF 615 | 63 | 70 | 82 | 82.5 | 85.5 | 83.5 | 74.5 | 65.5 | 90 |
| CF 920 | 88 | 93 | 98 | 99.5 | 101.5 | 99.5 | 95 | 84.2 | 107 |
| CF 930 | 78 | 85 | 94 | 100 | 103 | 104 | 101 | 98 | 109 |

Copyright © - The right to alterations is reserved