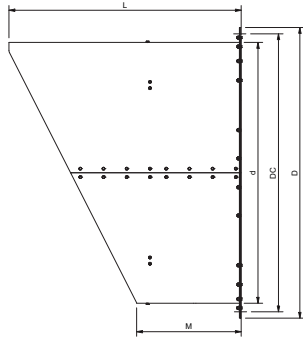
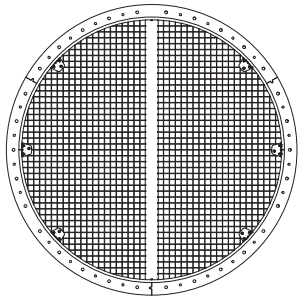
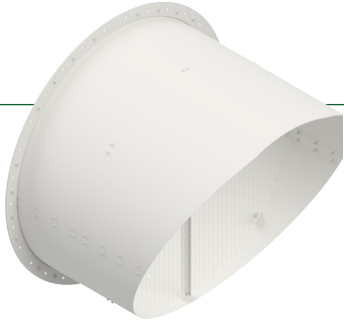


# RAIN CAPS

## GENERAL

Brand	Cimbria
Designation	Rain cover with bird net
Use	Industry
Application	Rain covering in <b>horizontal outlet</b> of ducting system



## GENERAL

Casing construction	Welded/bolted
Inlet and outlet conditions	Inlet and outlet openings directly by the casing
Outlet position	Horizontal discharge

Type	6220007	6220008	6220011	xxxxx
Outer diameter D	Ø835	Ø935	Ø1 085	Ø1 252
Pipe diameter d	Ø750	Ø850	Ø1 000	Ø1 120
Length L	1 000	1 000	1 000	1 000
Length M	600	550	450	450
Hole distance DC	Ø800 - 24xØ12	Ø900 - 24xØ12	Ø1 050 - 24xØ12	Ø1 190 - 30xØ12

## COMPLIANCE

EU machinery legislation	Yes
EU ATEX legislation	No
EU food contact legislation	No

## ENVIRONMENTAL CONDITIONS

Environment	Indoors or outdoors
Temperature	From -20°C to +40°C
Altitude	Up to 1 000 m

## SURFACE PROTECTION

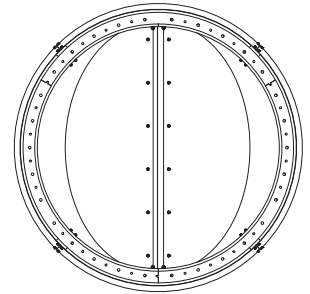
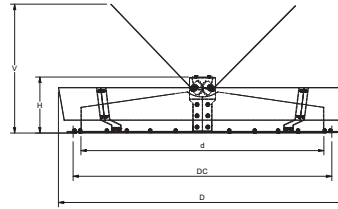
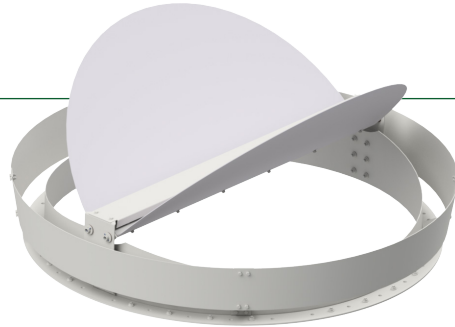
Casing	Galvanised
--------	------------

## LIFETIME

Intended life limit	20 years
---------------------	----------

## GENERAL

Brand	Cimbria
Designation	Rain cover
Use	Industry
Application	<b>Vertical self-opening</b> rain cap outlet of ducting system



## GENERAL

Casing construction	Welded/bolted
Inlet and outlet conditions	Inlet and outlet openings directly by the casing
Outlet position	Vertical discharge

Type	VL100	VL085	VL112
Pipe diameter d	Ø1 000	Ø850	Ø1 120
Height H	245	215	259
Opening height V	658	577	754
Hole distance DC	Ø1 050 - 24xØ11	Ø900 - 24xØ10	Ø1 190 - 30xØ12
Outer diameter D	Ø1 085	Ø1 100	Ø1 333

## COMPLIANCE

EU machinery legislation	Yes
EU ATEX legislation	No
EU food contact legislation	No

## ENVIRONMENTAL CONDITIONS

Environment	Indoors or outdoors
Temperature	From -20°C to +40°C
Altitude	Up to 1 000 m

## SURFACE PROTECTION

Casing	Galvanised
--------	------------

## LIFETIME

Intended life limit	20 years
---------------------	----------