

Data Sheet 74.5

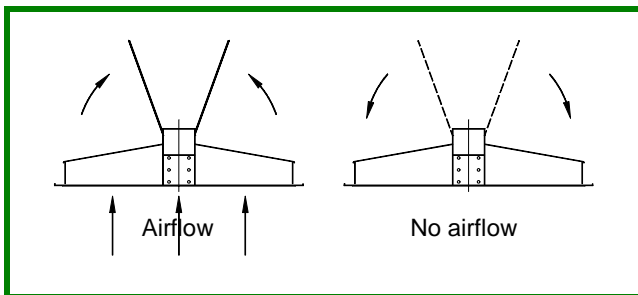
Rain Caps



Cimbria rain caps are used in connection with our fan programme. They are designed to keep out rain from the fans and are available in vertical and horizontal executions.

Vertical self-opening rain caps

This type of rain cap is designed for erection on the discharge end of vertical installed fans. As it can be seen from the drawing below the caps are self-opening and closing by means of the air stream. The rain cap is carefully balanced and will open even when running the fan at a relatively low air capacity.



Material

The rain cap is manufactured in galvanised plate and is mounted on the fan by means of an assembly flange.

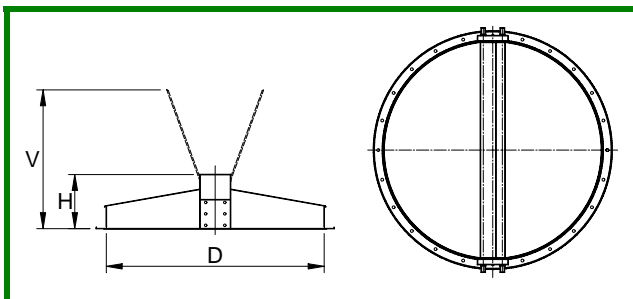
Measurements

The rain cap is available in 2 sizes, VL085 and VL100.

Table 1:

Type	VL100	VL085
External diameter D	Ø 1000	Ø850
Height H	245	215
Opening height V	658	577

Figure 1: Vertical self-opening rain cap



Horizontal rain caps with bird guards

This type of rain cap is used for horizontal installed fans. A bird guard to prevent birds to get into the fan when it's not working is part of the horizontal rain cap.

Material

The rain cap is manufactured in galvanised plate and is mounted on the fan by means of an assembly flange.

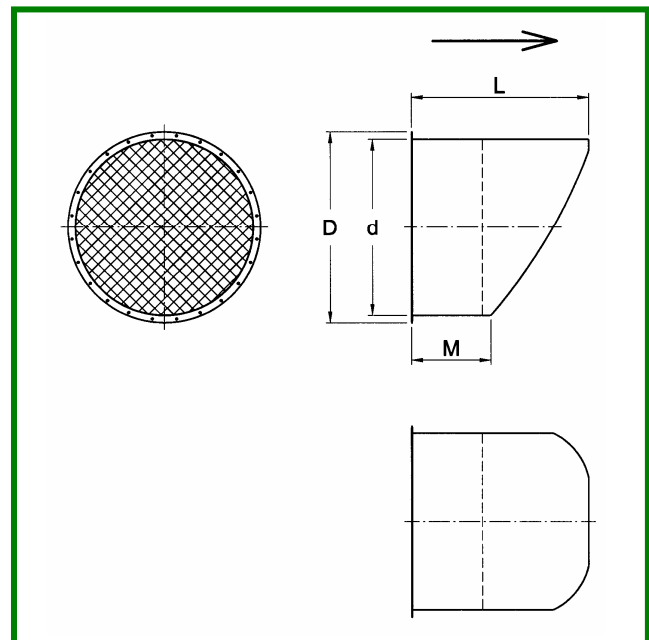
Measurements

The rain cap and bird guard are available in 3 sizes that fit our fan program.

Table 2:

Type	6220007	6220008	6220011
External diameter D	ø835	ø935	ø1085
Pipe diameter d	ø750	ø850	ø1000
Length L	1000	1000	1000
Length M	600	550	450

Figure 2: Horizontal rain cap and bird guard



Both types to be mounted on the fans by using fitted flange, necessary bolts and normal hand tool.

Copyright © - The right to alterations is reserved