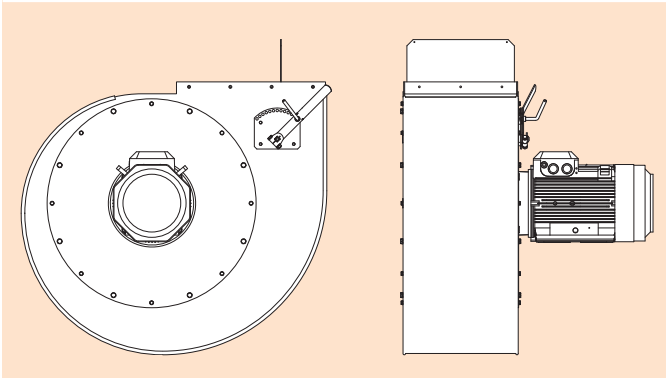


CENTRIFUGAL FAN CM-87

GENERAL

| | |
|-------------|--|
| Brand | Cimbria |
| Designation | Centrifugal fan |
| Model | CM-87 |
| Use | Industry |
| Application | Moving air within a duct in large-volume dust collection systems |

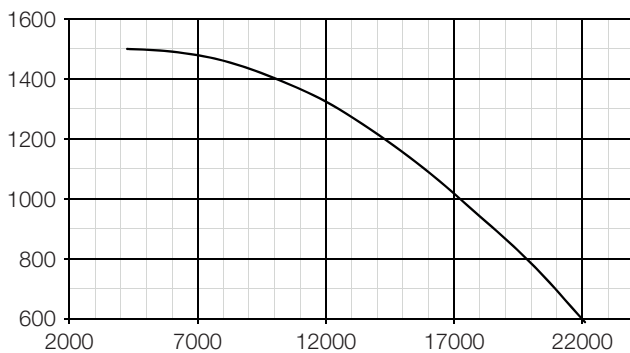


FAN CATEGORY

| | |
|-----------------------------|--|
| Installation type | Ducted inlet and ducted outlet |
| Suitability for pressure | Low pressure |
| Casing construction | Intermittently welded with bolted on side-plates |
| Impeller type | Backward-inclined |
| Drive arrangement | Direct drive |
| Inlet and outlet conditions | Inlet and outlet openings directly by the casing |
| Method of fan control | Damper control Vane control (optional) |
| Outlet position | LG0-LG315; RD0-RD315 |
| Motor position | Direct-line |

PERFORMANCE

X-axis: Volume flowrate in m³/h.
Y-axis: Static pressure [PS] in Pa



DIMENSIONS

| | |
|-------------------|----------|
| Impeller diameter | 671 mm |
| Overall length | 1 229 mm |
| Overall height | 1 097 mm |
| Overall width | 1 012 mm |

WEIGHT

| | |
|--------|--------|
| Weight | 270 kg |
|--------|--------|

OPERATING SPEED

| | |
|-------------------|-----------|
| Impeller rotation | 1 500 rpm |
|-------------------|-----------|

ELECTRICAL RATINGS

| | |
|-----------------|-------|
| Motor output | 11 kW |
| Motor voltage | 400 V |
| Motor frequency | 50 Hz |

NOISE

| | |
|----------------------|----------|
| Sound pressure level | 96 dB(A) |
|----------------------|----------|

COMPLIANCE

| | |
|-----------------------------|-----|
| EU machinery legislation | Yes |
| EU ATEX legislation | No |
| EU food contact legislation | No |

ENVIRONMENTAL CONDITIONS

| | |
|-------------------|---------------------------|
| Environment | Indoors |
| Temperature | From -20°C to +40°C |
| Altitude | Up to 1 000 m |
| Relative humidity | Maximum 80%, no dew point |

SURFACE PROTECTION

| | |
|--------|---|
| Casing | Paint (corrosivity category C2; low durability) |
|--------|---|

LIFETIME

| | |
|---------------------|----------|
| Intended life limit | 20 years |
|---------------------|----------|