

Data Sheet 74.7

Silencer Type CD-085 - 0100



Design and function

Cimbria silencers consist of a round steel shell with a diameter of either \varnothing 1200 or \varnothing 950 mm. The silencer is insulated with rock wool that is attached between the shell and a perforated plate. In the intermediate part of the silencer there is a baffle.

Noise

From any air discharge there will be noise both from the fans and from the passage of the air over sharp edges, valves and bends. The air discharge from a dryer can typically be of a noise level of over 90 dB(A) and with consideration to the regulations in force it will often be necessary to reduced the noise level.

Utilization:

The silencer is mounted on the discharge end of a fan. When a sound wave hits the inside insulated part of the silencer a part of the noise is absorbed. This way a minimal noise emission from the discharged air is achieved.

Cimbria silencers can be used for both vertical and horizontal installation on Cimbria fans.

Material:

The steel shell is manufactured in 1 mm galvanised plate.

Table 1: Noise level in dB(A) - 1 metre from the discharge

Fan type	CF10	CF15	CF20	CF30	CF610	CF615	CF920	CF930	AF1020	AF1030
CD 085	81	83			86	91				
CD 0100			85	91			90	93	88	103

Table 2: Noise reduction (dB(A))

Frequency Hz	63	125	250	500	1000	2000	4000	8000
Silencer CD 085 noise reduction Hz	0.3	0.5	5	14.5	22	13.5	9	7
Silencer CD 0100 noise reduction Hz	5	10	17	26	25	24	15	8

Figure 1: Silencer vertical

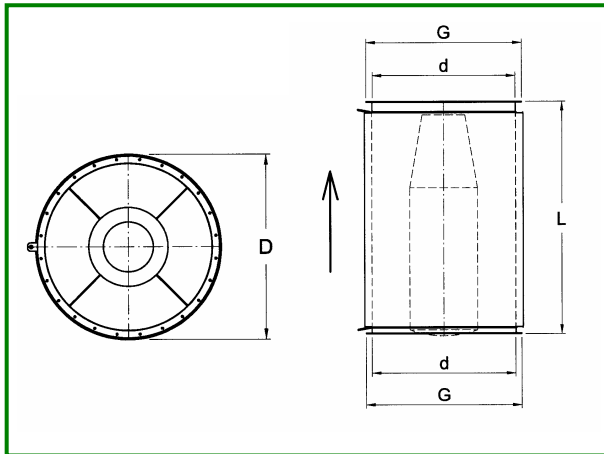
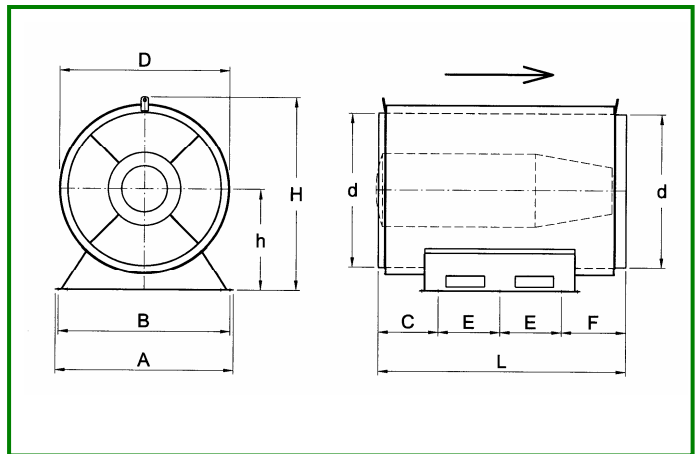


Figure 2: Silencer horizontal



	A	B	C	d	D	E	F	G	h	H	L
CD 085	990	950	390	\varnothing 850	\varnothing 956	400	420	\varnothing 935	590	1115	1610
CD 0100	1160	1120	1975	\varnothing 1000	\varnothing 1200	0	25	\varnothing 1085	660	1260	2000

All measures in millimetres

Copyright © - The right to alterations is reserved