



# SUPER CYCLOFAN TYPE CF-615

## GENERAL

Brand	Cimbria
Designation	Super Cyclofan
Model	CF-615
Use	Industry
Application	Moving air within a duct in large-volume dust collection systems



## FAN CATEGORY

Casing construction	Welded/bolted
Drive arrangement	Direct drive
Inlet and outlet conditions	Inlet and outlet openings directly by the casing
Method of fan Control	Vane control (optional)
Outlet position	Horizontal or upward discharge
Motor position	Down-stream
Overall length, no guide vane	2 120 mm
Overall length, with vane	2 360 mm
Overall height	1 500 mm
Overall width	1 140 mm

## EFFICIENCY

Overall efficiency	16.6
Measurement category	C
Efficiency category	Static
Efficiency grade*	40
Assumed drive type	Fixed speed
Motor power input*	17.8 kW
Flow rate*	14 164 m <sup>3</sup> /h
Pressure*	750 Pa
Rotations per minute*	1 450 rpm
Specific ratio	0.989

\* At operating point

Note: Efficiency calculated according to Commission Regulation (EU) 327/2011.

## WEIGHT

Weight, no guide vane	387 kg
Weight, with guide vane	425 kg

## ELECTRICAL RATINGS

Motor output	11 kW
Motor voltage	400 V
Motor frequency	50 Hz
Motor ampere	21.1 A
Motor power factor	0.82
Motor efficiency	91.4 %

## NOISE

Sound power level  $L_w$  90 dB(A)

63 Hz	125 Hz	250 Hz	500 Hz	1 000 Hz	2 000 Hz	4 000 Hz	8 000 Hz
63	70	82	82.5	85.5	83.5	74.5	65.5

## COMPLIANCE

EU machinery legislation	Yes
EU fan efficiency legislation	Yes
EU ATEX legislation	No
EU food contact legislation	No

## ENVIRONMENTAL CONDITIONS

Environment	Indoors or outdoors
Temperature	From -20°C to +40°C
Altitude	Up to 1 000 m

## SURFACE PROTECTION

Casing	Galvanised/Painted
--------	--------------------

## LIFETIME

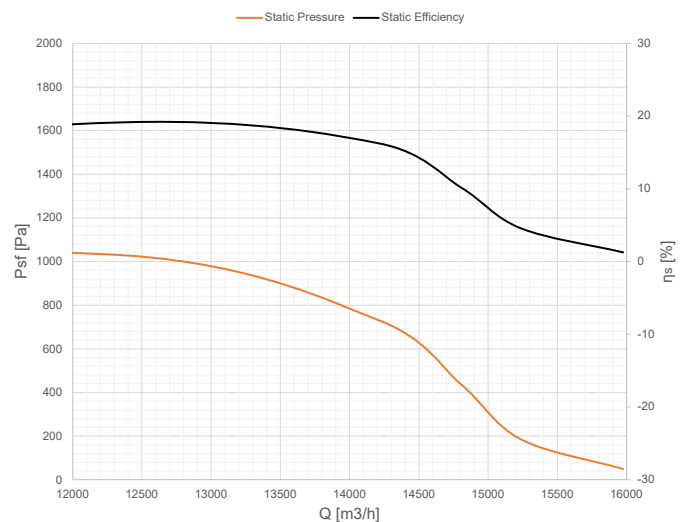
Intended life limit	20 years
---------------------	----------

## DUST SEPERATION

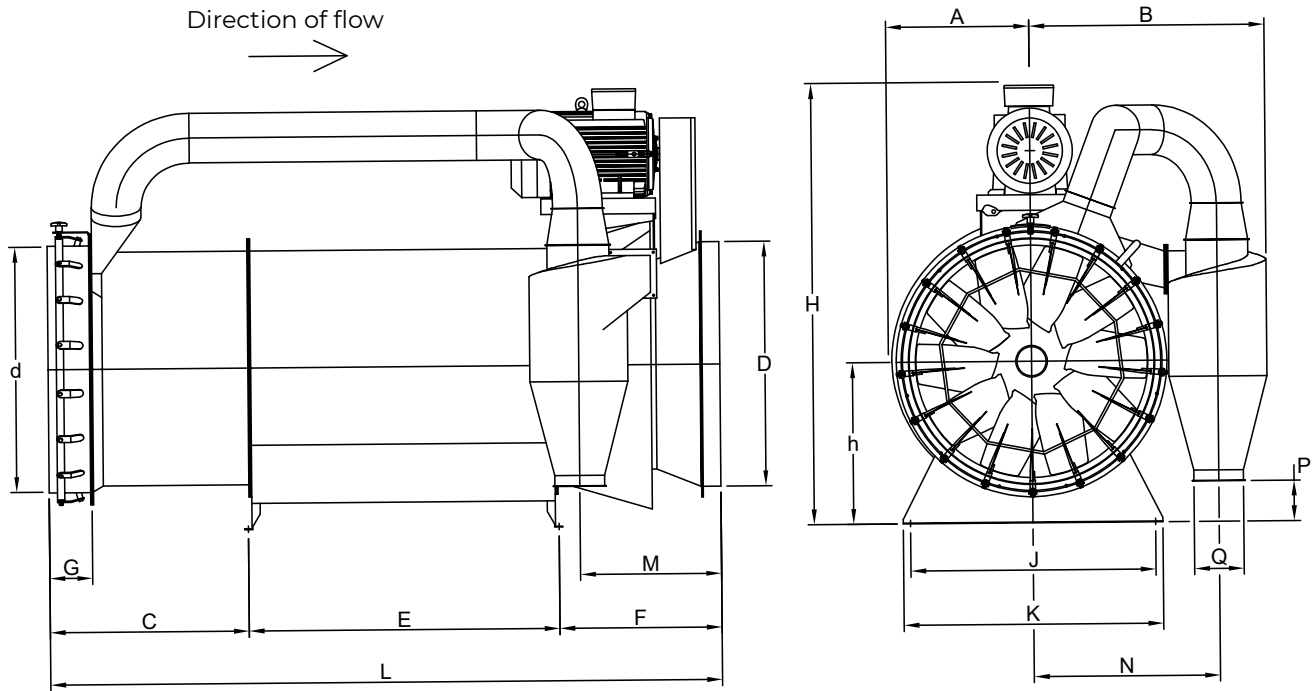
Dust separation efficiency	92 %
----------------------------	------

Note: Dust separation efficiency measured at 750Pa and dust concentration 100 mg/m<sub>3</sub>

## PERFORMANCE



# SUPER CYCLOFAN TYPE CF-615



## TECHNICAL DIMENSIONS

Fan	A	B	C	D	d	E	F	G	H	h	J	K	L	M	N	P	Q
CF615	720	420	736	Ø750	Ø750	1 018	606	240	1 500	590	650	710	2 360	587	563	-48	Ø200