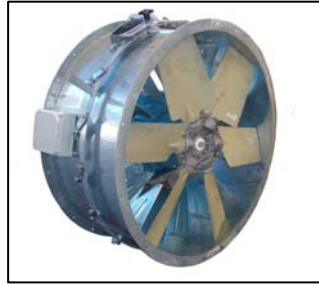


# Data Sheet 74.4

## AXIAL FAN Type ACG 1000



The Cimbria axial fan is developed for aspiration from continuous flow dryers. The axial fan combines suction with the opportunity of adjusting the air volume.



### Design and function

The axial fan sucks the air by means of an axial fan wheel and a motor placed in a fan housing with assembly flanges in both ends.

### Energy Saving Air Regulation

The Axial fan is supplied with an air volume regulator, type Varifan. The Varifan is made of adjustable guide plates placed as a rosette. The Varifan is placed in the inlet end and regulates the air volume and reduces the energy consumption with lowered capacity.

### Material

The fan housing is manufactured in 3 mm hot dipped galvanised steel. The fan wheel is manufactured in plastic. The Varifan is manufactured in 2 mm steel plate.

### Motors and Noise Level

The axial fan is delivered with a norm motor running at 1450 RPM. Motor size, frequency, currencty and noise level can be seen from the below table.

**Table 1: Motor size, frequency, currencty & noise level**

Type	Effect	Currencty*	Noise**
ACG 1055-6	5.5 kW	10.6 A	102 dB(A)
ACG 1075-6	7.5 kW	14.0 A	104 dB(A)
ACG 1110-6	11.0 kW	21.0 A	106 dB(A)
ACG 1150-6	15.0 kW	28.5 A	108 dB(A)
ACG 1185-6	18.5 kW	35.0 A	109 dB(A)
ACG 1220-8	22.0 kW	41.0 A	112 dB(A)

\*Working at 400 V, 50 Hz. \*\*1 metre from air discharge.

**Table 2: Models and capacities**

Type	Air volume Nm <sup>3</sup> /h	Pressure PS mm WG	Weight
ACG 1055-6	17.500	60	139 kg
ACG 1075-6	24.000	60	153 kg
ACG 1110-6	35.000	60	190 kg
ACG 1150-6	42.000	60	199 kg
ACG 1185-6	46.000	60	220 kg
ACG 1220-8	54.000	60	237 kg

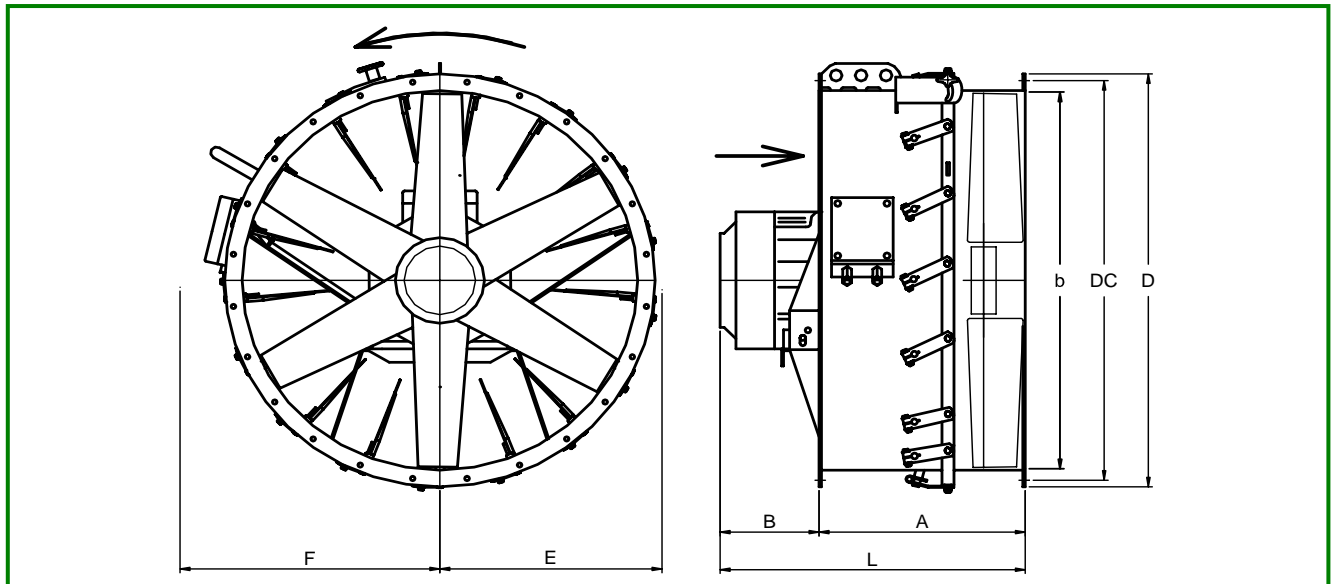
### Flexibility

The axial fan can be mounted both horizontally and vertically without any effect to the capacity.

### Additional Accessories

Additional accessories available: back stop that is recommended when several axial fans are used in conjunction and horizontal and vertical rain caps. The axial fan can also be delivered with thermostat type LEG 01 and silencer type CD0100.

**Figure 1. Rotation and flow direction**



	A	B	d	D	DC	E	F	L
ACG-1050-6 / 1075-6	520	44	ø990	ø1085	ø1050 - 24 x ø11	560	675	564
ACG-1110-6 / 1150-6	520	136	ø990	ø1085	ø1050 - 24 x ø11	560	675	656
ACG-1185-6	520	250	ø990	ø1085	ø1050 - 24 x ø11	560	675	740
ACG 1220-8	520	250	ø990	ø1085	ø1050 - 24 x ø11	560	675	740

Copyright © - The right to alterations is reserved