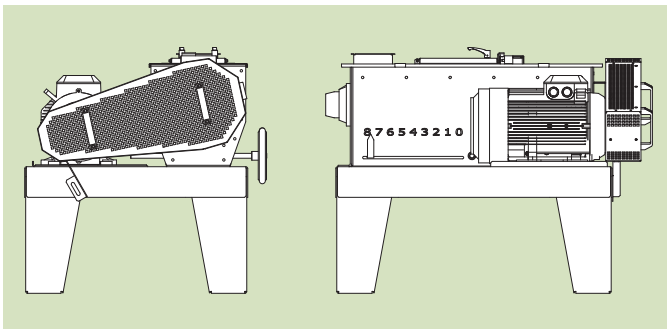


DE-AWNER DD-183

GENERAL

Brand	Cimbria
Designation	De-awner
Model	DD-183
Use	Industry
Application	Conditioning of cereal grains and other seeds intended for seed.



PERFORMANCE

	Bulk density t/m ³	Moisture content %	Capacity t/h
MOTOR 4 KW			
Barley	0.68	15–18 (13–15)	10 (2.5)
Wheat	0.76	15–18 (13–15)	10 (2.5)
MOTOR 5.5 KW			
Barley	0.68	15–18 (13–15)	15 (4)
Wheat	0.76	15–18 (13–15)	15 (4)
MOTOR 7.5 KW			
Barley	0.68	15–18 (13–15)	25 (6)
Wheat	0.76	15–18 (13–15)	25 (6)
MOTOR 11 KW			
Barley	0.68	15–18 (13–15)	35 (9)
Wheat	0.76	15–18 (13–15)	35 (9)

Key: Values in parenthesis are for de-bearding. Other values are for general conditioning.

Note: Capacities may vary for different impurity and moisture contents.

DIMENSIONS

Beater arm diameter	ø275 mm (28 beaters)
Overall length	1 346 mm
Overall height	986 mm
Overall width	1 058 mm

Note: Dimensions include the stand-alone support frame.

WEIGHT

Weight, empty	340 kg
Weight, operating (wheat)	405 kg
Weight, choked (wheat)	410 kg

Note: Weights include the stand-alone support frame. Support frames for DELTA cleaners may add additional weight.

OPERATING SPEED

Beater arm shaft	850 rpm @ 60 Hz
------------------	-----------------

ELECTRICAL RATINGS

Motor	4 kW; 5.5 kW; 7.5 kW; or 11 kW
-------	--------------------------------

NOISE

Sound pressure level, empty	79.2 dB(A)
-----------------------------	------------

COMPLIANCE

EU machinery directive	Yes
EU ATEX directive	No
EU food contact regulation	Option*

* Consult your Cimbria dealer for full details.

ENVIRONMENTAL CONDITIONS

Environment	Indoors
Temperature	From -10°C to +40°C
Altitude	Up to 1 000 m

SURFACE PROTECTION

Casing	Paint (corrosivity category C2; low durability)
--------	---

LIFETIME

Intended life limit	20 years
---------------------	----------