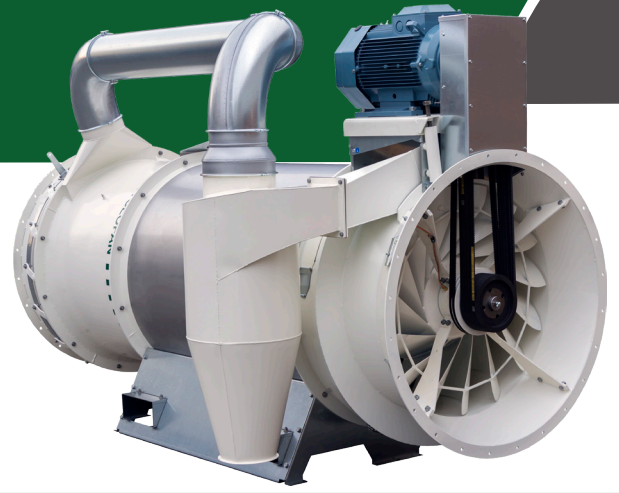




DRYING SUPER CYCLOFAN TYPE CF-615

GENERAL

| | |
|-------------|--|
| Brand | Cimbria |
| Designation | Super Cyclofan |
| Model | CF-615 |
| Use | Industry |
| Application | Moving air within a duct in large-volume dust collection systems |



FAN CATEGORY

| | |
|-------------------------------|--|
| Casing construction | Welded/bolted |
| Drive arrangement | Direct drive |
| Inlet and outlet conditions | Inlet and outlet openings directly by the casing |
| Method of fan Control | Vane control (optional) |
| Outlet position | Horizontal or upward discharge |
| Motor position | Down-stream |
| Overall length, no guide vane | 2 120 mm |
| Overall length, with vane | 2 360 mm |
| Overall height | 1 500 mm |
| Overall width | 1 140 mm |

EFFICIENCY

| | |
|-----------------------|--------------------------|
| Overall efficiency | 16.6 |
| Measurement category | C |
| Efficiency category | Static |
| Efficiency grade* | 40 |
| Assumed drive type | Fixed speed |
| Motor power input* | 17.8 kW |
| Flow rate* | 14 164 m ³ /h |
| Pressure* | 750 Pa |
| Rotations per minute* | 1 450 rpm |
| Specific ratio | 0.989 |

* At operating point

Note: Efficiency calculated according to Commission Regulation (EU) 327/2011.

WEIGHT

| | |
|-------------------------|--------|
| Weight, no guide vane | 387 kg |
| Weight, with guide vane | 425 kg |

ELECTRICAL RATINGS

| | |
|--------------------|--------|
| Motor output | 11 kW |
| Motor voltage | 400 V |
| Motor frequency | 50 Hz |
| Motor ampere | 21.1 A |
| Motor power factor | 0.82 |
| Motor efficiency | 91.4 % |

NOISE

Sound power level L_w 90 dB(A)

| 63 Hz | 125 Hz | 250 Hz | 500 Hz | 1 000 Hz | 2 000 Hz | 4 000 Hz | 8 000 Hz |
|-------|--------|--------|--------|----------|----------|----------|----------|
| 63 | 70 | 82 | 82.5 | 85.5 | 83.5 | 74.5 | 65.5 |

COMPLIANCE

| | |
|-------------------------------|-----|
| EU machinery legislation | Yes |
| EU fan efficiency legislation | Yes |
| EU ATEX legislation | No |
| EU food contact legislation | No |

ENVIRONMENTAL CONDITIONS

| | |
|-------------|---------------------|
| Environment | Indoors or outdoors |
| Temperature | From -20°C to +40°C |
| Altitude | Up to 1 000 m |

SURFACE PROTECTION

| | |
|--------|--------------------|
| Casing | Galvanised/Painted |
|--------|--------------------|

LIFETIME

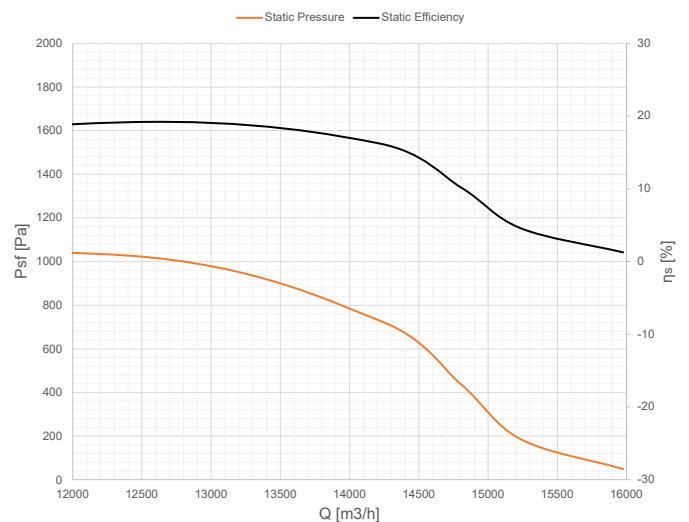
| | |
|---------------------|----------|
| Intended life limit | 20 years |
|---------------------|----------|

DUST SEPERATION

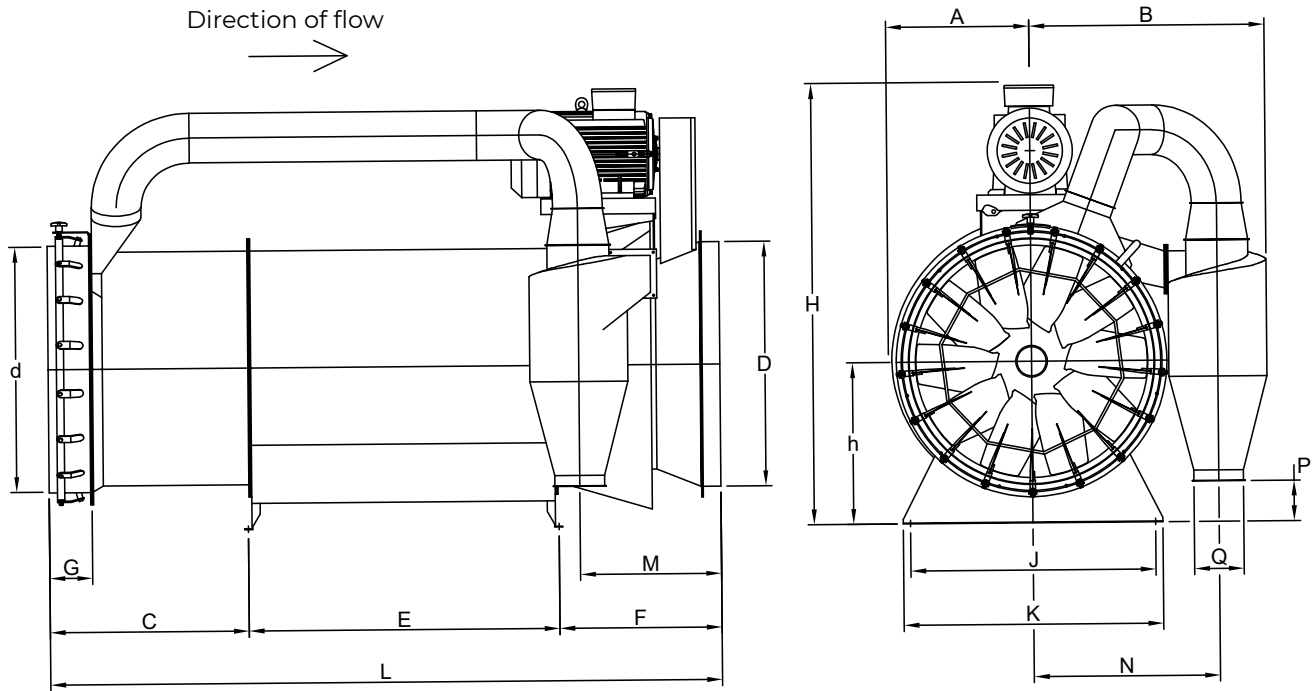
| | |
|----------------------------|------|
| Dust separation efficiency | 92 % |
|----------------------------|------|

Note: Dust separation efficiency measured at 750Pa and dust concentration 100 mg/m₃

PERFORMANCE



SUPER CYCLOFAN TYPE CF-615



TECHNICAL DIMENSIONS

| Fan | A | B | C | D | d | E | F | G | H | h | J | K | L | M | N | P | Q |
|-------|-----|-----|-----|------|------|-------|-----|-----|-------|-----|-----|-----|-------|-----|-----|-----|------|
| CF615 | 720 | 420 | 736 | Ø750 | Ø750 | 1 018 | 606 | 240 | 1 500 | 590 | 650 | 710 | 2 360 | 587 | 563 | -48 | Ø200 |