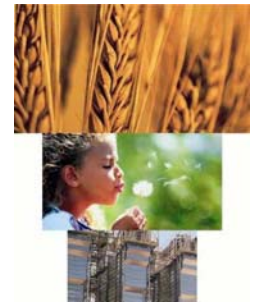


# Data Sheet 74.7

## Silencer Type CD-085 - 0100



### Design and function

Cimbria silencers consist of a round steel shell with a diameter of either  $\varnothing$  1200 or  $\varnothing$  950 mm. The silencer is insulated with rock wool that is attached between the shell and a perforated plate. In the intermediate part of the silencer there is a baffle.

### Noise

From any air discharge there will be noise both from the fans and from the passage of the air over sharp edges, valves and bends. The air discharge from a dryer can typically be of a noise level of over 90 dB(A) and with consideration to the regulations in force it will often be necessary to reduced the noise level.

### Utilization:

The silencer is mounted on the discharge end of a fan. When a sound wave hits the inside insulated part of the silencer a part of the noise is absorbed. This way a minimal noise emission from the discharged air is achieved.

Cimbria silencers can be used for both vertical and horizontal installation on Cimbria fans.

### Material:

The steel shell is manufactured in 1 mm galvanised plate.

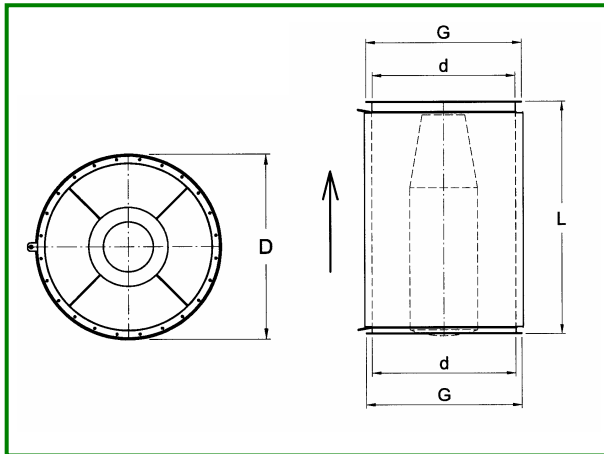
**Table 1: Noise level in dB(A) - 1 metre from the discharge**

Fan type	CF10	CF15	CF20	CF30	CF610	CF615	CF920	CF930	AF1020	AF1030
CD 085	81	83			86	91				
CD 0100			85	91			90	93	88	103

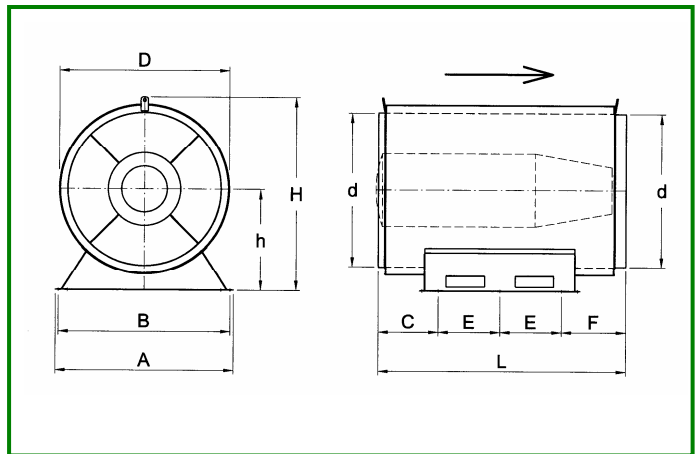
**Table 2: Noise reduction (dB(A))**

Frequency Hz	63	125	250	500	1000	2000	4000	8000
Silencer CD 085 noise reduction Hz	0.3	0.5	5	14.5	22	13.5	9	7
Silencer CD 0100 noise reduction Hz	5	10	17	26	25	24	15	8

**Figure 1: Silencer vertical**



**Figure 2: Silencer horizontal**



	A	B	C	d	D	E	F	G	h	H	L
CD 085	990	950	390	$\varnothing$ 850	$\varnothing$ 956	400	420	$\varnothing$ 935	590	1115	1610
CD 0100	1160	1120	1975	$\varnothing$ 1000	$\varnothing$ 1200	0	25	$\varnothing$ 1085	660	1260	2000

All measures in millimetres

Copyright © - The right to alterations is reserved