

# HEAT EXCHANGER VG-44 DUPLEX

## GENERAL

Brand	Cimbria
Designation	Heat exchanger
Model	VG-44 Duplex
Use	Industry
Application	Heating air for use in Cimbria continuous flow dryers.

## DIMENSIONS

Overall width	1 265 mm
Overall height	959 mm
Overall depth	400 mm

## VOLUME AND WEIGHT

Volumetric capacity	46 l
Weight, empty	316 kg

## WATER SUPPLY

Water temperature	From +2°C to +110°C
-------------------	---------------------

## ENVIRONMENTAL CONDITIONS

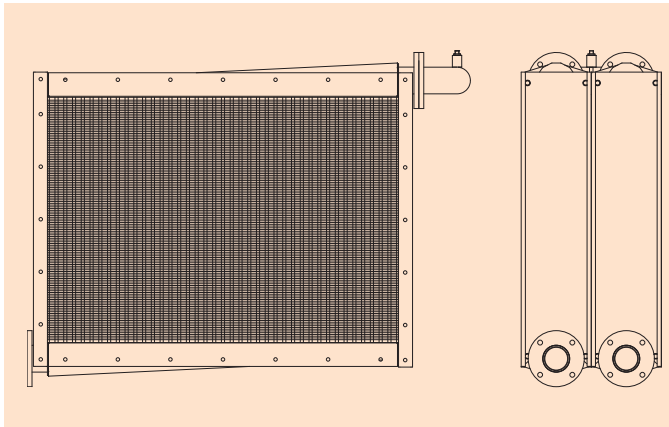
Environment	Indoors or outdoors
-------------	---------------------

## MATERIALS

Frame, tube and fins	Steel, hot-dip galvanized (internal and external)
----------------------	---

## LIFETIME

Intended life limit	20 years
---------------------	----------



## PERFORMANCE

Water temperature [°C]	Water cooling [ΔT°C]	Air volume flow [m³/h]	Air resistance [Pa]	Air temperature [°C]	Water volume flow [m³/h]	Water resistance [hPa]	Effect [kW]	
75	5	6 000	74	53	14	51	79	
		9 000	170	46	17	63	96	
		12 000	300	41	19	71	108	
	10	6 000	74	52	6	24	75	
			9 000	170	45	8	27	92
			12 000	300	40	9	29	103
		15	6 000	74	50	4	20	72
			9 000	170	44	5	21	88
			12 000	300	39	6	21	99
90	10	6 000	74	62	8	29	96	
		9 000	170	53	10	33	117	
		12 000	300	47	11	36	131	
	15	6 000	74	60	5	21	92	
		9 000	170	52	6	23	113	
		12 000	300	46	7	24	127	
		20	6 000	74	58	4	19	89
			9 000	170	50	5	20	109
			12 000	300	45	5	21	122
	100	10	6 000	74	68	9	32	109
			9 000	170	58	12	38	134
			12 000	300	52	13	42	150
15		6 000	74	67	6	23	106	
		9 000	170	57	7	25	130	
		12 000	300	50	8	27	146	
		20	6 000	74	65	4	20	103
			9 000	170	56	5	21	126
			12 000	300	49	6	22	141

\* Test conditions: Ambient temperature: 15°C; Relative humidity: 75%.